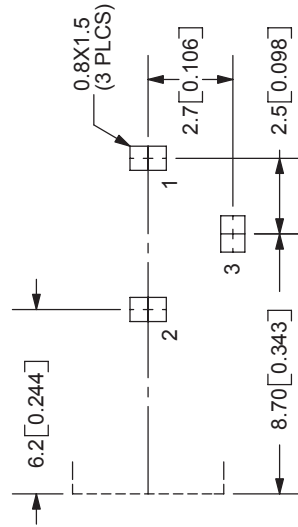
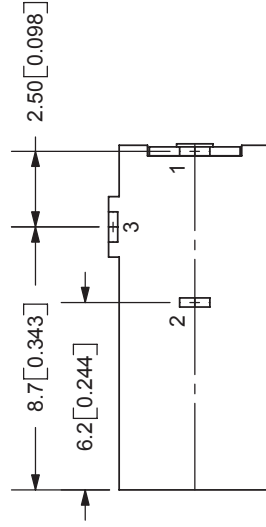
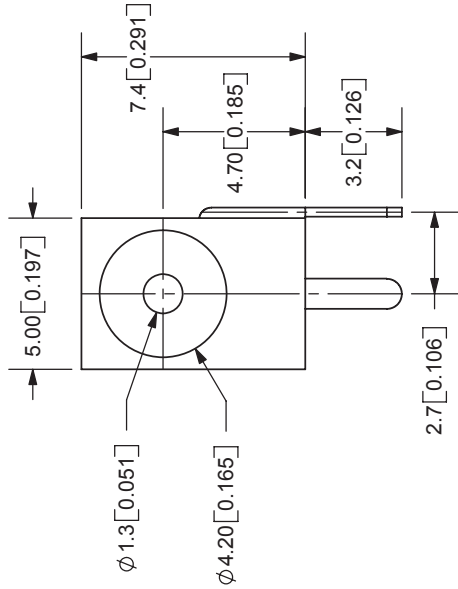
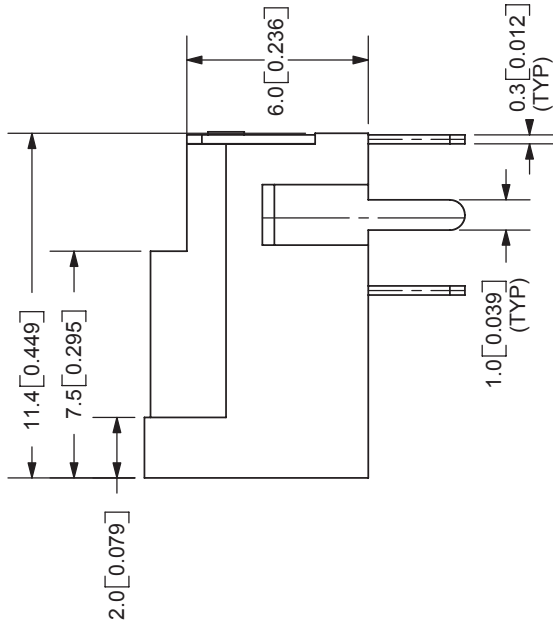


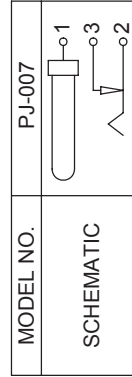
REV.	DESCRIPTION	DATE
A	NEW DRAWING	4/17/2006



SPECIFICATIONS:

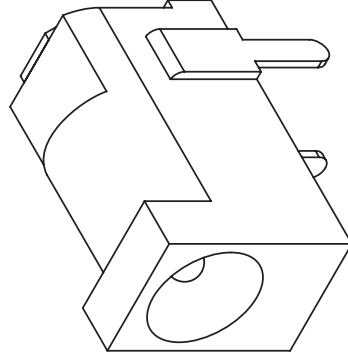
RATING: 12V DC @ 1A
 CONTACT RESISTANCE: 30m OHMS MAX
 INSULATION RESISTANCE: 100M OHMS MIN: 500V DC
 VOLTAGE WITHSTAND: 500V AC R.M.S. FOR 1 MINUTE
 LIFE: 5,000 CYCLES
 OPERATING TEMP: -20° ~ +85°C

**PCBLAYOUT
TOP VIEW**



CENTER PIN DIAMETER 1.3mm Dia.

	MATERIAL	PLATING
CENTER PIN	Brass	Nickel
TERMINAL 1	Brass	Silver
TERMINAL 2	PBS	Silver
TERMINAL 3	Brass	Silver
HOUSING	PBT	



TOLERANCE:
 X.X ±0.2mm
 X.XX ±0.1mm
 X.XXX ±0.05mm



CUI INC

9615 SW Allen Blvd., Ste. 103
 Beaverton, OR 97005
 Phone: 503-643-4899
 800-275-4899
 Fax: 503-372-1266
 Website: www.cui.com

TITLE:	DC POWER JACK	REV:	A
PART NO:	PJ-007	UNITS:	MM [INCHES]
DRAWN BY:	ZRJ	APPROVED BY:	
		SCALE:	4:1