

SPECIFICATIONS

Mechanical

Mating Force: 1.5Kg max. (3.33Lb)
Unmating Force: 0.35Kg min. (0.78Lb)
Durability: 20000 Cycles

Electrical

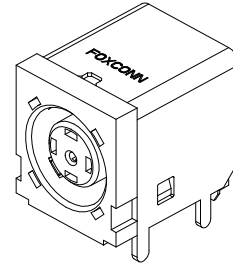
Voltage Rating: 42V
Current Rating: 10A max.
Contact Resistance: 30mW max. (initial)
 40mW max. (after Life Test)
Dielectric Withstanding Voltage: 150V AC/1min min.
Insulation Resistance: 100MW min.

Physical

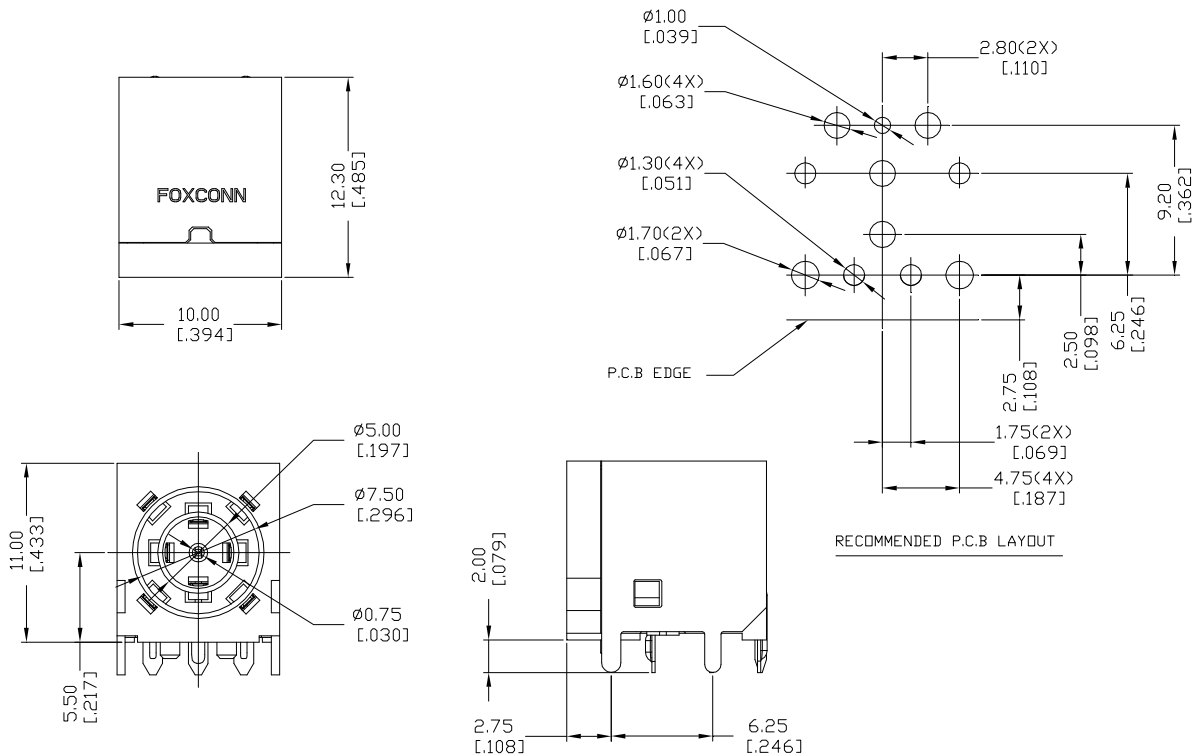
Housing: Hi-Temp. Thermoplastic, UL 94V-0 rated
Contact: Copper alloy
Plating: See "ORDERING INFORMATION"
Operating Temperature: -40 to +85

DC Power Jack Connector

JPD Series
Right Angle, T/H
3 Pos.



DRAWING



ORDERING INFORMATION

PRODUCT NO. **J P D 1 1 3 5 - 5 0 9 - 7 F**

Jack Series	J	Lead Free Code	F
JP=Power Jack		F= Lead Free	
Power Type	D	Package Code	7
D=DC		7= Tape Reel Packing	
Terminator Type	1	Modification Code	3
1=Right Angle T/H		Contact Area Plating	5
Contact Design Type	1	5=50u" Gold Plated	
1=Female		No.of Pos	3
		3=3 Pos	