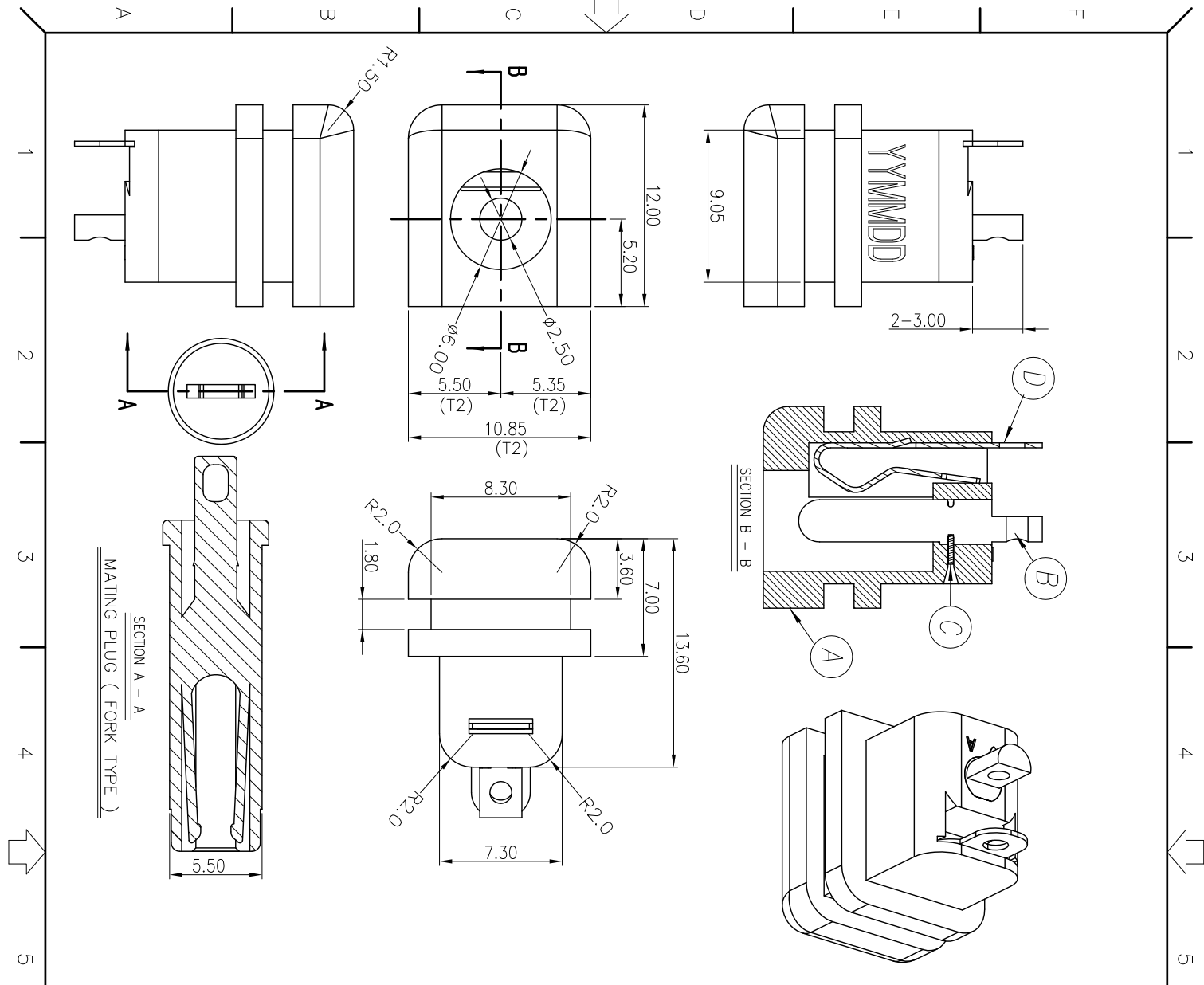
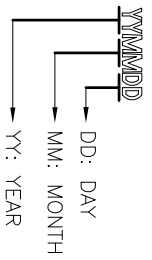


| REV. | ECN NO. | OR DESCRIPTION | REVISED | DATE |
|------|----------|----------------|---------|------------|
| A | PDR No: | 20051027-2 | AMY-WU | 2006/02/13 |
| B | ECN NO.: | S100201 | Soldier | 2010.02.06 |
| C | ECN NO.: | S100938 | ANDY | 2010.11.05 |

- SPECIFICATIONS:**
1. RATING: DC 20V 7A
 2. INSERTION FORCE: 0.5~3.0kgf.
 3. WITHDRAWAL FORCE: 0.5~3.0kgf.
 4. INSULATION RESISTANCE BETWEEN ANY ADJACENT TERMINALS SHALL NOT BE LESS THAN 100 MEGOHMS BY 500 VOLTS MEGGER.
 5. JACK SHALL WITHSTAND 500 VOLTS BETWEEN ANY ADJACENT TERMINAL FOR ONE MINUTE.
 6. CONTACT RESISTANCE SHALL NOT EXCEED 30mΩ.
 7. JACK SHALL WITHSTAND 5,000 CYCLES OF INSERTION AND WITHDRAWAL WITH TESTING PLUG, AND CONTACT RESISTANCE SHALL NOT EXCEED 100mΩ.
 8. MEASURING CONDITION:
TEMPERATURE: FROM 5°C TO 35°C.
RELATIVE HUMIDITY: FROM 40% TO 85%.
 9. TO CONFORM TO SINGATRON HAZARDOUS SUBSTANCE FREE SPEC.
 10. 8.1. HUMIDITY TEST: HUMIDITY 90% TO 95% TEMPERATURE 40°C±2°C FOR 96 HOURS
 11. 8.2. HEAT TEST: TEMPERATURE 70°C±2°C (HUMIDITY BELOW 50%) FOR 96 HOURS
 12. 8.3. COLD TEST: TEMPERATURE -40°C±2°C FOR 96 HOURS
 13. GREEN PRODUCT IDENTIFICATION MARK ON JACK.
 14. GREEN PRODUCT IDENTIFICATION LABEL ON PACKAGING: **G.P. PASS**
 15. FOR HAND SOLDERING LEAD-FREE PROCESS.
 16. ⊗ REPRESENT CRITICAL DIMENSIONS.
 17. PRINTED DATE CODE "YYMMDD" ON TOP OF CONNECTOR.



| NO | DESCRIPTION | QTY | MATERIAL | PLATING & COLOR |
|----|-------------|-----|------------------------|---------------------------|
| D | TIP SPRING | 1 | COPPER ALLOY 0.3t | Ag 20u" Min. Ni 60u" Min. |
| C | TERMINAL | 1 | STAINLESS STEEL 0.3T | N/A |
| B | PIN | 1 | BRASS BAR | Ag 20u" OVER Ni 60u" |
| A | BODY | 1 | THERMOPLASTIC UL 94V-0 | BLACK |

UNLESS OTHERWISE SPECIFIED TOLERANCES

| DECIMALS: | ANGLES: | TITLE | DC POWER JACK |
|-------------|-----------|-------|---------------|
| X : ±0.5 | X : ±2° | DWN | ANDY |
| X.X : ±0.3 | X.X : ±1° | CHKD | LUSSEN |
| X.XX : ±0.2 | | APVD | TONY |

| PART NO. | SCALE | UNIT | REV. |
|-----------------|-------|------|------|
| NO.2DC-0268-B07 | 4:1 | mm | 1 |

SHEET: 1 OF 1

Singatron Enterprise Co., Ltd.
 信亨企業股份有限公司
CUSTOMER COPY