

**SPECIFICATIONS**

**Mechanical**

**Mating Force:** 1.5Kg max. (3.33Lb)  
**Unmating Force:** 0.35Kg min. (0.78Lb)  
**Durability:** 20000 Cycles

**Electrical**

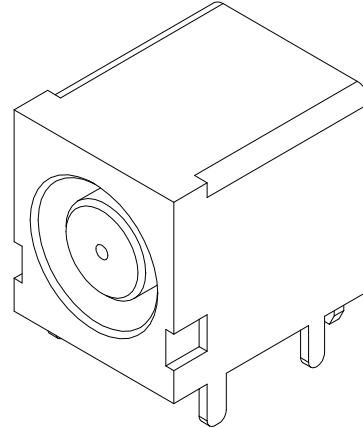
**Voltage Rating:** 42V  
**Current Rating:** 10A max.  
**Contact Resistance:** 30mΩ max. (initial)  
 40mΩ max. (after Life Test)  
**Dielectric Withstanding Voltage:** 150V AC/1min min.  
**Insulation Resistance:** 100MΩ min.

**Physical**

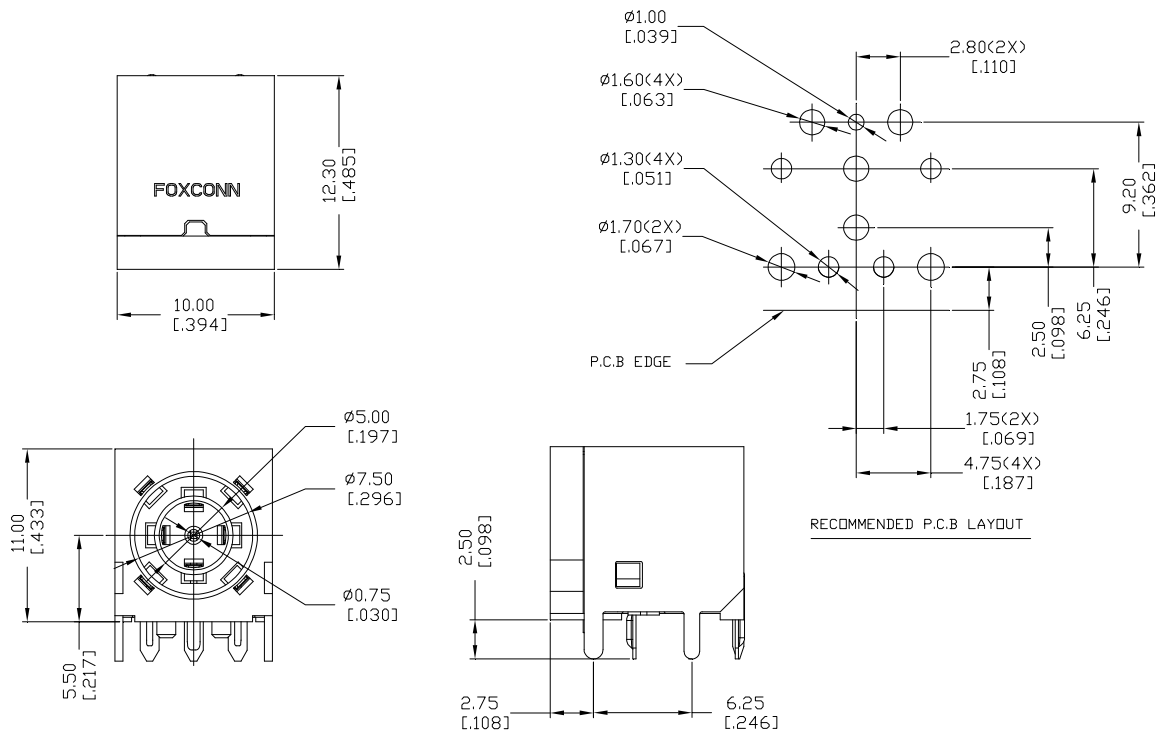
**Housing:** Hi-Temp. Thermoplastic, UL 94V-0 rated  
**Contact:** Copper alloy  
**Plating:** See "ORDERING INFORMATION"  
**Operating Temperature:** -40°C to +85°C

**DC Power Jack Connector**

**JPD Series**  
**Right Angle, T/H**  
**3 Pos.**



**DRAWING**



**ORDERING INFORMATION**

PRODUCT NO.	J P D 1 1 3 5 - M048 - 4 F	
Jack Series	J P D	Lead Free Code
JP=Power Jack		F= Lead Free
Power Type	D	Package Code
D=DC		4= Tray Packing
Terminator Type	1 1	Modification Code
1=Right Angle T/H		Contact Area Plating
Contact Design Type	3 5	5=50u" Gold Plated
1=Female		No. of Pos
		3=3 Pos