



An Infineon Technologies Company

ADM6996F

**6 port 10/100 Mb/s
Single Chip Ethernet Switch Controller**

**Data Sheet
Version 1.02**

Infineon-ADMtek Co Ltd

Information in this document is provided in connection with Infineon-ADMtek Co Ltd products. Infineon-ADMtek Co Ltd may make changes to specifications and product descriptions at any time, without notice. Designers must not rely on the absence or characteristics of any features or instructions marked “reserved” or “undefined”. Infineon-ADMtek Co Ltd reserves these for future definition and shall have no responsibility whatsoever for conflicts or incompatibilities arising from future changes to them

The products may contain design defects or errors known as errata, which may cause the product to deviate from published specifications. Current characterized errata are available on request. To obtain latest documentation please contact you local Infineon-ADMtek Co Ltd sales office or visit Infineon-ADMtek Co Ltd’s website at

<http://www.admtek.com.tw>

*Third-party brands and names are the property of their respective owners.

About this Manual

General Release

Intended Audience

Infineon-ADMtek Co Ltd's Customers

Structure

This Data sheet contains 6 chapters

- Chapter 1 Product Overview
- Chapter 2 Interface Description
- Chapter 3 Function Description
- Chapter 4. Register Description
- Chapter 5. Electrical Specification
- Chapter 6. Packaging

Revision History

Date	Version	Change
07 October 2003	1.0	1. First release of ADM6996F
17 November 2003	1.01	2. Updated Section 4.3.12 & 3.4
12 January 2004	1.02	3. Updated Section 5.3.3 - 6, 5.3.8 & 5.3.9
28 April 2004	1.03	Infineon ADMtek updated logo

Customer Support

Infineon-ADMtek Co Ltd,
 2F, No.2, Li-Hsin Rd.,
 Science-based Industrial Park,
 Hsinchu, 300, Taiwan, R.O.C.

Sales Information

Tel + 886-3-5788879
 Fax + 886-3-5788871

Table of Contents

Chapter 1 Product Overview	1-1
1.1 Overview	1-1
1.2 Features	1-2
1.3 Applications	1-2
1.4 Block Diagram	1-3
1.5 Abbreviations	1-3
1.6 Conventions	1-5
1.6.1 <i>Data Lengths</i>	1-5
1.6.2 <i>Pin Types</i>	1-5
1.6.2 <i>Register Types</i>	1-5
Chapter 2 Interface Description	2-1
2.1 Pin Diagram	2-1
2.2 Pin Description by Function	2-2
2.2.1 <i>Twisted Pair Interface</i>	2-2
2.2.2 <i>5th Port (MII) Interfaces</i>	2-2
2.2.3 <i>6th Port (MII) Interfaces</i>	2-3
2.2.4 <i>LED Interface</i>	2-5
2.2.5 <i>EEPROM/Management Interface</i>	2-6
2.2.6 <i>Power/Ground, 48 pins</i>	2-6
2.2.7 <i>Miscellaneous</i>	2-6
Chapter 3 Function Description	3-1
3.1 Functional Descriptions	3-1
3.2 10/100M PHY Block	3-1
3.3 100Base-X Module	3-1
3.4 100Base-X Receiver	3-2
3.4.1 <i>A/D Converter</i>	3-2
3.4.2 <i>Adaptive Equalizer and timing Recovery Module</i>	3-2
3.4.3 <i>NRZI/NRZ and Serial/Parallel Decoder</i>	3-2
3.4.4 <i>Data De-scrambling</i>	3-3
3.4.5 <i>Symbol Alignment</i>	3-3
3.4.6 <i>Symbol Decoding</i>	3-3
3.4.7 <i>Valid Data Signal</i>	3-3
3.4.8 <i>Receive Errors</i>	3-4
3.4.9 <i>100Base-X Link Monitor</i>	3-4
3.4.10 <i>Carrier Sense</i>	3-4
3.4.11 <i>Bad SSD Detection</i>	3-4
3.4.12 <i>Far-End Fault</i>	3-5
3.5 100Base-TX Transceiver	3-5
3.5.1 <i>Transmit Drivers</i>	3-5
3.5.2 <i>Twisted-Pair Receiver</i>	3-5
3.6 10Base-T Module	3-5
3.6.1 <i>Operation Modes</i>	3-6
3.6.2 <i>Manchester Encoder/Decoder</i>	3-6
3.6.3 <i>Transmit Driver and Receiver</i>	3-6
3.6.4 <i>Smart Squelch</i>	3-6

3.7	Carrier Sense.....	3-7
3.8	Jabber Function.....	3-7
3.9	Link Test Function.....	3-7
3.10	Automatic Link Polarity Detection.....	3-8
3.11	Clock Synthesizer.....	3-8
3.12	Auto Negotiation.....	3-8
3.13	Memory Block.....	3-8
3.14	Switch Functional Description.....	3-9
3.15	Basic Operation.....	3-9
3.15.1	Address Learning.....	3-9
3.15.2	Address Recognition and Packet Forwarding.....	3-10
3.15.3	Address Aging.....	3-10
3.15.4	Back off Algorithm.....	3-10
3.15.5	Inter-Packet Gap (IPG).....	3-10
3.15.6	Illegal Frames.....	3-11
3.15.7	Half Duplex Flow Control.....	3-11
3.15.8	Full Duplex Flow Control.....	3-11
3.15.9	Broadcast Storm filter.....	3-11
3.16	Auto TP MDIX function.....	3-11
3.17	Port Locking.....	3-12
3.18	VLAN setting & Tag/Untag & port-base VLAN.....	3-12
3.19	Priority Setting.....	3-13
3.20	LED Display.....	3-13
Chapter 4 Register Description.....		4-1
4.1	EEPROM Content.....	4-1
4.2	EEPROM Register Map.....	4-1
4.3	EEPROM Register.....	4-2
4.3.1	Signature Register, offset: 0x00h.....	4-2
4.3.2	Configuration Registers, offset: 0x01h ~ 0x09h.....	4-3
4.3.3	Reserved Register, offset: 0x0ah.....	4-3
4.3.4	Configuration Register, offset: 0x0bh.....	4-4
4.3.5	Reserved Register, offset: 0x0ch~0x0dh.....	4-4
4.3.6	VLAN priority Map Register, offset: 0x0eh.....	4-4
4.3.7	TOS priority Map Register, offset: 0x0fh.....	4-4
4.3.8	Packet with Priority: Normal packet content.....	4-5
4.3.9	VLAN Packet.....	4-5
4.3.10	TOS IP Packet.....	4-1
4.3.11	Miscellaneous Configuration Register, offset: 0x10h.....	4-1
4.3.12	VLAN mode select Register, offset: 0x11h.....	4-2
4.3.13	Miscellaneous Configuration register, offset: 0x12h.....	4-4
4.3.14	VLAN mapping table registers, offset: 0x22h ~ 0x13h.....	4-4
4.3.15	Reserved Register, offset: 0x27h ~ 0x23h.....	4-4
4.3.16	Port0, 1 PVID bit 11 ~ 4 Configuration Register, offset: 0x28h.....	4-1
4.3.17	Port2, 3 PVID bit 11 ~ 4 Configuration Register, offset: 0x29h.....	4-1
4.3.18	Port4, 5 PVID bit 11~4 Configuration Register, offset: 0x2ah.....	4-1
4.3.19	Port6, 7 PVID bit 11~4 Configuration Register, offset: 0x2bh.....	4-1

4.3.20	Port8 PVID bit 11~4 & VLAN group shift bits Configuration Register..	4-1
4.3.21	Reserved Register, offset: 0x2dh.....	4-2
4.3.22	Reserved Register, offset: 0x2eh.....	4-2
4.3.23	PHY Restart, offset: 0x2fh.....	4-2
4.3.24	Miscellaneous Configuration Register, offset: 0x30h.....	4-2
4.3.25	Bandwidth Control Register0~3, offset: 0x31h.....	4-3
4.3.26	Bandwidth Control Register 4~5, offset: 0x32h.....	4-3
4.3.27	Bandwidth Control Enable Register, offset: 0x33h.....	4-4
4.4	EEPROM Access.....	4-4
4.5	Serial Register Map.....	4-6
4.6	Serial Register Description.....	4-7
4.6.1	Chip Identifier Register, offset: 0x00h.....	4-7
4.6.2	Port Status 0 Register, offset: 0x01h.....	4-7
4.6.3	Port Status 1 Register, offset: 0x02h.....	4-9
4.6.4	Cable Broken Status Register, offset: 0x03h.....	4-9
4.6.5	Over Flow Flag 0 Register, offset: 0x3ah.....	4-10
4.6.6	Over Flow Flag 0: Register 0x3bh.....	4-10
4.6.7	Over Flow Flag 2 Register, offset: 0x3ch.....	4-11
4.7	Serial Interface Timing.....	4-1
4.8	PHY Register Description.....	4-2
4.8.1	Control Register, offset: 0x00.....	4-2
4.8.2	Status Register, offset: 0x01.....	4-4
4.8.3	PHY Identifier Register, offset: 0x02.....	4-5
4.8.4	PHY Identifier Register, offset: 0x03.....	4-5
4.8.5	Auto Negotiation Advertisement Register, offset : 0x04.....	4-6
4.8.6	Auto Negotiation Link Partner Ability Register, offset: 0x05.....	4-7
4.8.7	Auto Negotiation Expansion Register, offset: 0x06.....	4-7
4.8.8	Next Page Transmit Register, offset: 0x07.....	4-8
4.8.9	Link Partner Next Page Register, offset: 0x08.....	4-8
Chapter 5 Electrical Specification.....		5-1
5.1	TX/FX Interface.....	5-1
5.1.1	TP Interface.....	5-1
5.1.2	FX Interface.....	5-1
5.2	DC Characteristics.....	5-2
5.2.1	Absolute Maximum Rating.....	5-2
5.2.2	Recommended Operating Conditions.....	5-2
5.2.3	DC Electrical Characteristics for 3.3V Operation.....	5-2
5.3	AC Characteristics.....	5-3
5.3.1	Power On Reset.....	5-3
5.3.2	EEPROM Interface Timing.....	5-3
5.3.3	10Base-TX MII Input Timing.....	5-4
5.3.4	10Base-TX MII Output Timing.....	5-4
5.3.5	100Base-TX MII Input Timing.....	5-5
5.3.6	100Base-TX MII Output Timing.....	5-5
5.3.7	SMI Timing.....	5-6
5.3.8	GPSI(7-wire) Input Timing.....	5-6

5.3.9	<i>GPSI(7-wire) Output Timing</i>	5-7
5.3.10	<i>Serial Management Interface (MDC/MDIO) Timing</i>	5-8
Chapter 6 Packaging		6-1
6.1	128 Pin PQFP Outside Dimension.....	6-1

List of Figures

Figure 1-1	ADM6996F Block Diagram.....	1-3
Figure 2-1	4 TP/FX PORT + 2 MII PORT 128 Pin Diagram.....	2-1

Chapter 1 Product Overview

1.1 Overview

The ADM6996F is a high performance, low cost, highly integrated (Controller, PHY and Memory) four-port 10/100 Mbps TX/FX plus two 10/100 MAC port Ethernet switch controller with all ports supporting 10/100 Mbps Full/Half duplex. The ADM6996F is intended for applications to stand alone bridge for low cost SOHO markets such as 5Port, Router applications. The 2nd MAC can be configured as PCS type MII with 10/100 PHY integrated.

ADM6996F provides the most advance functions such as: **802.1p(Q.O.S.), 802.1q(VLAN), Port MAC address Locking, Management, Port Status, TP Auto-MDIX, 25M Crystal & Extra MII port** functions to meet customer requests on Switch demand.

The ADM6996F also supports Back Pressure in Half-Duplex mode and 802.3x Flow Control Pause packet in Full-Duplex mode to prevent packet loss when buffers are full. When Back Pressure is enabled, and there is no receive buffer available for the incoming packet, the ADM6996F will issue a JAM pattern on the receiving port in Half Duplex mode and transmit the 802.3x Pause packet back to receiving end in Full Duplex mode.

The built-in SRAM used for the packet buffer and address learning table is divided into 256 bytes/block to achieve the optimized memory utilization through complicated link list on packets with various lengths.

ADM6996F also supports priority features by Port-Base, VLAN and IP TOS field checking. Users can easily set different priority modes in individual ports, through a small low-cost micro controller to initialize or on-the-fly to configure. Each output port supports four queues in the way of fixed N: 1 fairness queuing to fit the bandwidth demand on various types of packet such as Voice, Video and data. 802.1Q, Tag/Untag, and up to 16 groups of VLAN are also supported.

An intelligent address recognition algorithm allows ADM6996F to recognize up to 2048 different MAC addresses and enables filtering and forwarding at full wire speed.

Port MAC address Locking function is also supported by ADM6996F to use on Building Internet access to prevent multiple users sharing one port traffic.

1.2 Features

- Supports four 10M/100M auto-detect Half/Full duplex switch ports with **TX/FX** interfaces and two MII/GPSI ports.
- Supports 2048 MAC addresses table.
- Supports four queue for QoS
- Supports priority features by Port-Based, 802.1p VLAN & IP TOS of packets.
- Supports Store & Forward architecture and performs forwarding and filtering at non-blocking full wire speed.
- Supports buffer allocation with 256 bytes per block
- Supports Aging function Enable/Disable.
- Supports per port Single/Dual color mode with Power On auto diagnostic.
- Supports 802.3x Flow Control pause packet for Full Duplex in case buffer is full.
- Supports Back Pressure function for Half Duplex operation in case buffer is full.
- Supports packet lengths up to 1522 bytes.
- Broadcast Storming Filter function.
- Supports 802.1Q VLAN. Up to 16 VLAN groups are implemented by the last four bits of VLAN ID.
- 2bit MAC clone to support multiple WAN application
- Supports TP interface Auto MDIX function for auto TX/RX swap by strapping-pin.
- Easy Management 32bits smart counter for per port RX/TX byte/packet count, error count and collision count.
- Supports PHY status output for management system.
- 25M Crystal only for the whole system.
- 128 QFP package with 0.18um technology. 1.8V/3.3V power supply.

1.3 Applications

ADM6996F in 128-pin PQFP: SOHO 5-port switch
5-port switch + Router with MII CPU interface.

1.4 Block Diagram

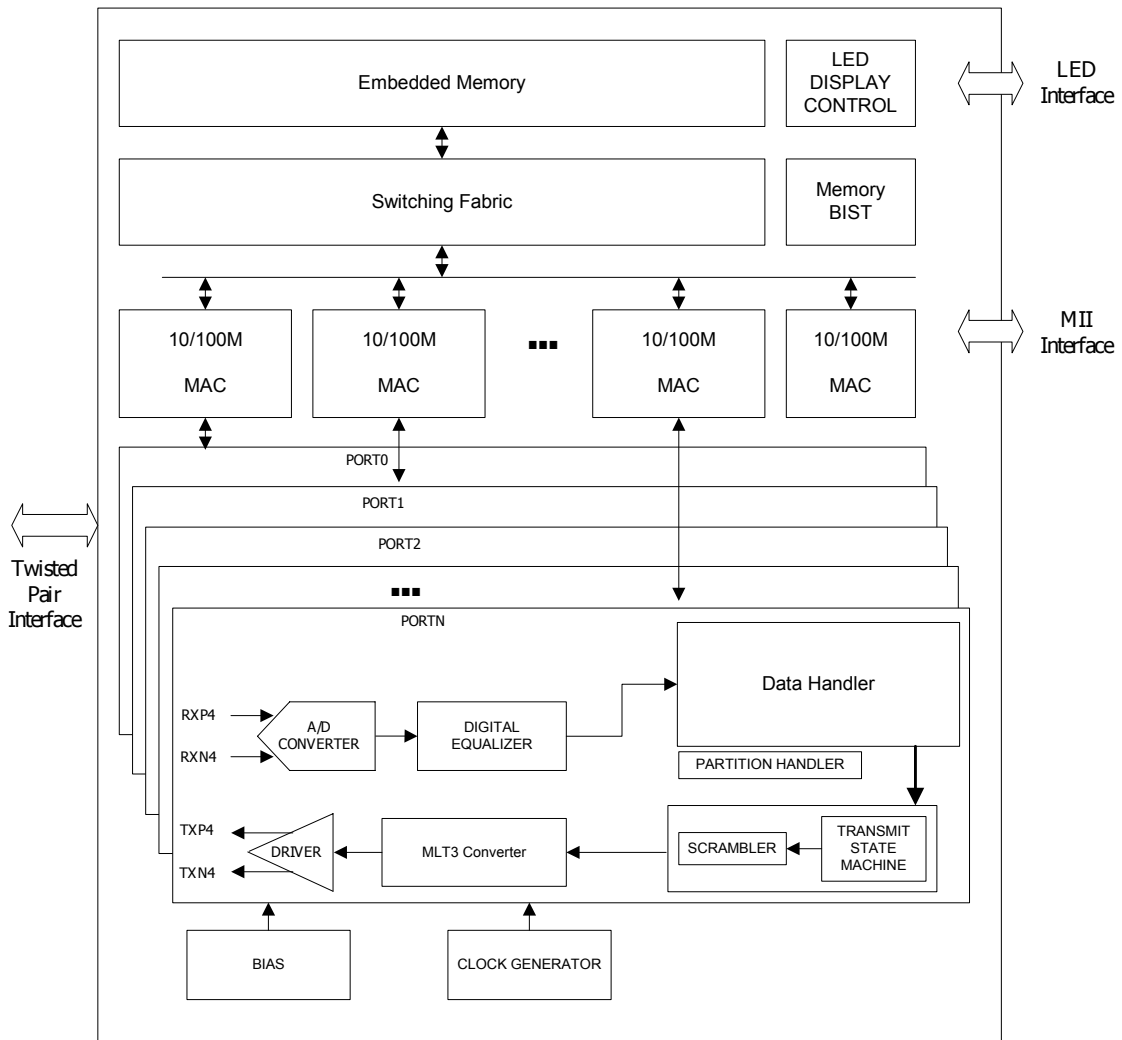


Figure 1-1 ADM6996F Block Diagram

1.5 Abbreviations

BER	Bit Error Rate
CFI	Canonical Format Indicator
COL	Collision
CRC	Cyclic Redundancy Check
CRS	Carrier Sense
CS	Chip Select
DA	Destination Address
DI	Data Input
DO	Data Output
EDI	EEPROM Data Input
EDO	EEPROM Data Output
EECS	EEPROM Chip Select

EESK	EEPROM Clock
ESD	End of Stream Delimiter
FEFI	Far End Fault Indication
FET	Field Effect Transistor
FLP	Fast Link Pulse
GND	Ground
GPSI	General Purpose Serial Interface
IPG	Inter-Packet Gap
LFSR	Linear Feedback Shift Register
MAC	Media Access Controller
MDIX	MDI Crossover
MII	Media Independent Interface
NRZI	Non Return to Zero Inverter
NRZ	Non Return to Zero
PCS	Physical Coding Sub-layer
PHY	Physical Layer
PLL	Phase Lock Loop
PMA	Physical Medium Attachment
PMD	Physical Medium Dependent
QoS	Quality of Service
QFP	Quad Flat Package
RST	Reset
RXCLK	Receive Clock
RXD	Receive Data
RXDV	Receive Data Valid
RXER	Receive Data Errors
RXN	Receive Negative (Analog receive differential signal)
RXP	Receive Positive (Analog receive differential signal)
SA	Source Address
SOHO	Small Office Home Office
SSD	Start of Stream Delimiter
SQE	Signal Quality Error
TOS	Type of Service
TP	Twisted Pair
TTL	Transistor Transistor Logic
TXCLK	Transmission Clock
TXD	Transmission Data
TXEN	Transmission Enable
TXN	Transmission Negative
TXP	Transmission Positive

1.6 Conventions

1.6.1 Data Lengths

qword	64-bits
dword	32-bits
word	16-bits
byte	8 bits
nibble	4 bits

1.6.2 Pin Types

Pin Type	Description
I	Input
O	Output
I/O	Bi-directional
OD	Open drain
SCHE	Schmitt Trigger
PD	internal pull-down
PU	internal pull-up

1.6.2 Register Types

Register Type	Description
RO	Read-only
WO	Write-only
RW	Read/Write

Chapter 2 Interface Description

2.1 Pin Diagram

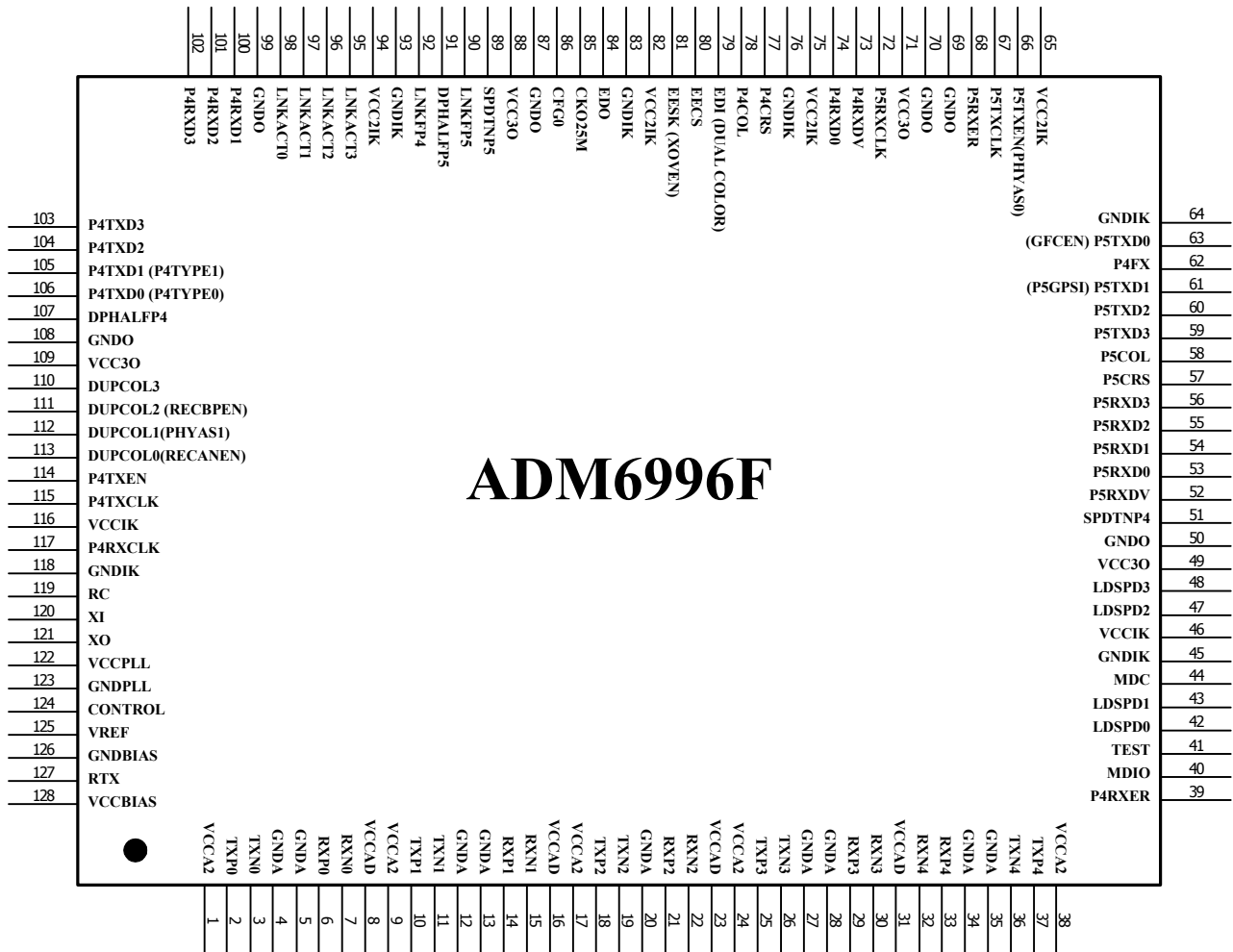


Figure 2-1 4 TP/FX PORT + 2 MII PORT 128 Pin Diagram

2.2 Pin Description by Function

ADM6996F pins are categorized into one of the following groups:

- Section 2.2.1 Twisted Pair Interface
- Section 2.2.2 5th Port (MII) Interfaces
- Section 2.2.3 6th Port (MII) Interfaces
- Section 2.2.4 LED Interface
- Section 2.2.5 EEPROM/Management Interface
- Section 2.2.6 Power/Ground, 48 pins
- Section 2.2.7 Miscellaneous

Note:

- “Section 1.6.2 Pin Types” can be used for reference.

2.2.1 Twisted Pair Interface

Pin Name	Pin#	Type	Descriptions
RXP[0:4]	6, 14, 21, 29, 33	I/O, Analog	Twisted Pair Receive Input Positive.
RXN[0:4]	7, 15, 22, 30, 32	I/O, Analog	Twisted Pair Receive Input Negative.
TXP[0:4]	2, 10, 18, 25, 37	I/O, Analog	Twisted Pair Transmit Output Positive.
TXN[0:4]	3, 11, 19, 26, 36	I/O, Analog	Twisted Pair Transmit Output Negative.

2.2.2 5th Port (MII) Interfaces

Pin Name	Pin#	Type	Descriptions
P4TXD[0] Setting P4TYPE0	106	I/O, 8mA PD	Port4 MII transmit data 0 Acts as MII transmit data TXD[0]. Synchronous to the rising edge of TXCLK. Setting P4TYPE0 : At power-on-reset, latched as P4 TYPE0.
P4TXD[1] Setting P4TYPE1	105	I/O, 8mA PD	Port4 MII Transmit Data bit 1 Synchronous to the rising edge of TXCLK. These pins act as MII TXD[1]. Setting P4TYPE1 : At power-on-reset, latched as P4 TYPE1.
P4TXD[3:2]	103, 104	I/O, 8mA PD	Port4 MII Transmit Data bit 3~2 Synchronous to the rising edge of TXCLK. These pins act as MII TXD[3:2].

Pin Name	Pin#	Type	Descriptions
P4FX	62	I PD	Port4 FX/TX mode select. Internal pull down. 1: Port4 as FX port. 0: Port4 as TX port.
P4TXEN	114	I/O 8mA PD	Port4 MII Transmit Enable. Internal pull down.
P4RXD[0]	74	I PD	Port4 MII port receive data 0 These pins act as MII RXD[0]. Synchronous to the rising edge of P4RXCLK. Internal pull down.
P4RXD[3:1]	102, 101, 100	I PD	Port4 MII port receive data 3~0 These pins act as MII RXD[3:0]. Synchronous to the rising edge of P4RXCLK. Internal pull down.
P4RXDV	73	I PD	Port4 MII receive data valid. Internal pull down.
P4RXER	39	I PD	Port4 MII Port Receive Error. Internal pull down.
P4COL	78	I PD	Port4 MII Port Collision input Internal pull down.
P4CRS	77	I PD	Port4 MII Port Carrier Sense Internal pull down.
P4RXCLK	117	I PD	Port4 MII Port Receive Clock Input
P4TXCLK	115	I PD	Port4 MII Port Transmit clock Input
DHALFP4	107	I PD	Port4 MII Port Hardware Duplex input pin. Low: Full Duplex. High: Half Duplex. Internal pull down.
LNKFP4	92	I PD	Port4 MII Port Hardware Link input pin. Low: Link OK. High: Link Off. Internal pull down.
SPDTNP4	51	I PD	Port4 MII Port Hardware Speed input pin. Low: 100M. High: 10M. Internal pull down.

2.2.3 6th Port (MII) Interfaces

Pin Name	Pin#	Type	Descriptions
P5TXD[0]	63	I/O, 8mA PU	MII transmit data 0 /GPSI TXD Acts as MII transmit data TXD[0]. Synchronous to the rising edge of TXCLK.
Setting GFCEN			Setting GFCEN: Global Flow Control Enable. At power-on-reset, latched as Full Duplex Flow control setting

Pin Name	Pin#	Type	Descriptions
			"1" to enable flow-control (default), "0" to disable flow-control.
P5TXD[1] Setting P5GPSI	61	I/O, 8mA PD	MII Transmit Data bit 1 Synchronous to the rising edge of TXCLK. These pins act as MII TXD[1]. Setting P5GPSI: Port 5 GPSI Enable. At power-on-reset, latched as P5 GPSI Enable. "0" to disable port 5 GPSI (default), "1" to enable port 5 GPSI.
P5TXD[3:2]	59, 60	I/O, 8mA PD	Port5 MII Transmit Data bit 3~2 Synchronous to the rising edge of TXCLK. These pins act as MII TXD[3:2].
P5TXEN Setting PHYAS0	66	I/O 8mA PD	Port5 MII Transmit Enable. Internal pull down. Setting PHYAS0: Chip physical address for multiple chip application on read EEPROM data. Internal pull down. Power on reset value PHYAS0 combines with PHYAS1 PHYAS1 PHYAS0 0 0 Master(93C46) If there is no EEPROM then user must use 93C66 timing to write chip's register. If user put 93C46 with correct Signature then user writes chip register by 93C46 timing. If user put 93C66 then data put in Bank0. User can write chip register by 93C66 timing. User must assert one SK cycle when CS at idle stage when write chip internal register.
P5RXD[3:0]	56, 55, 54, 53	I PD	Port5 MII port receive data 3~0 These pins act as MII RXD[3:0]. Synchronous to the rising edge of P5RXCLK. Internal pull down.
P5RXDV	52	I PD	Port5 MII receive data valid. Internal pull down.
P5RXER	68	I PD	Port5 MII Port Receive Error. Internal pull down.
P5COL	58	I PD	Port5 MII Port Collision input Internal pull down.
P5CRS	57	I PD	Port5 MII Port Carrier Sense Internal pull down.
P5RXCLK	72	I PD	Port5 MII Port Receive Clock Input
P5TXCLK	67	I PD	Port5 MII Port Transmit clock Input
DHALFP5	91	I PD	Port5 MII Port Hardware Duplex input pin. Low: Full Duplex. High: Half Duplex.

Pin Name	Pin#	Type	Descriptions
			Internal pull down.
LNKFP5	90	I PD	Port5 MII Port Hardware Link input pin. Low: Link OK. High: Link Off. Internal pull down.
SPDTNP5	89	I PD	Port5 MII Port Hardware Speed input pin. Low: 100M. High: 10M. Internal pull down.

2.2.4 LED Interface

Pin Name	Pin#	Type	Descriptions
LNKACT[3:0]	95, 96, 97, 98	O, 8mA	LINK/Activity LED[3:0]. Active low "1" indicates no link activity on cable "0" indicates link okay on cable, but no activity and signals on idle stage. "Blinking" indicates link activity on cable.
DUPCOL[3]	110	O, 8mA	Duplex/Collision LED[3]. Active low "1" for half-duplex and "blinking" for collision indication "0" for full-duplex indication
DUPCOL[2] Setting BPEN	111	O, 8mA, PU	Duplex/Collision LED[2]. Active low "1" for half-duplex and "blinking" for collision indication "0" for full-duplex indication Setting BPEN: At power-on-reset, latched as Back Pressure setting "1" to enable Back-Pressure (defaulted), "0" to disable Back Pressure. At power-on-reset, latched as Back Pressure setting "1" to enable Back-Pressure (defaulted), "0" to disable Back Pressure.
DUPCOL[1] Setting PHYAS1	112	O, 8mA, PD	Duplex/Collision LED[1]. Active low "1" for half-duplex and "blinking" for collision indication "0" for full-duplex indication Setting PHYAS1: Power on Reset latch value combine with TXEN. Internal pull down. Check pin 66.
DUPCOL[0] Setting ANEN	113	O, 8mA, PU	Duplex/Collision LED[0]. Active low "1" for half-duplex and "blinking" for collision indication "0" for full-duplex indication Setting ANEN: On power-on-reset, latched as Auto Negotiation capability for all ports. "1" to enable Auto Negotiation (defaulted by pulled up internally), "0" to disable Auto Negotiation.
LDSPD[3:0]	48, 47, 43, 42	O, 8mA	Speed LED[3:0]. Used to indicate corresponding port's speed status. "0" for 100Mb/s, "1" for 10Mb/s

2.2.5 EEPROM/Management Interface

Pin Name	Pin#	Type	Descriptions
EDO	84	I, TTL,PU	EEPROM Data Output. Serial data input from EEPROM. This pin is internally pull-up.
EECS	80	O, 4mA,PD	EEPROM Chip Select. This pin is active high chip enable for EEPROM. When RESETL is low, it will be Tri-state. Internally Pull-down
EECK Setting XOVEN	81	I/O, 4mA PD	Serial Clock. This pin is clock source for EEPROM. When RESETL is low, it will be tri-state. Setting XOVEN: This pin is internal pull-down. On power-on-reset, latched as P4~0 Auto MDIX enable or not. "0" to disable MDIX (defaulted), "1" to enable MDIX. Suggest externally pull up to enable MDIX for all ports.
EDI Setting LEDMODE	79	I/O, 4mA PD	EEPROM Serial Data Input. This pin is output for serial data transfer. When RESETL is low, it will be tri-state. Setting LEDMODE: This pin is internal pull-down. On power-on-reset, latched as Dual Color mode or not. "0" to set Single color mode for LED. "1" to set Dual Color mode for LED.

2.2.6 Power/Ground, 48 pins

Pin Name	Pin#	Type	Descriptions
GNDA	4,5,12, 13, 20, 27, 28, 34, 35	I	Ground Used by AD Block.
VCCA2	1, 9, 17, 24, 38	I	1.8V, Power Used by TX Line Driver.
VCCAD	8, 16, 23, 31	I	3.3V, Power Used by AD Block.
GNDBIAS	126	I	Ground Used by Bias Block
VCCBIAS	128	I	3.3V, Power Used by Bias Block.
GNDPLL	123	I	Ground used by PLL
VCCPLL	122	I	1.8V, Power used by PLL
GNDIK	45, 64, 76, 83, 93, 118	I	Ground Used by Digital Core
VCCIK	46, 65, 75, 82, 94, 116	I	1.8V, Power Used by Digital Core
GNDO	50, 69, 70, 87, 99, 108	I	Ground Used by Digital Pad
VCC30	49, 71, 88, 109	I	3.3V, Power Used by Digital Pad.

2.2.7 Miscellaneous

Pin Name	Pin#	Type	Descriptions
CKO25M	85	O,	25M Clock Output.

Pin Name	Pin#	Type	Descriptions
		8mA	
Control	124	O	FET Control Signal. The pin is used to control FET for 3.3V to 1.8V regulator.
RTX	127	Analog	TX Resistor. Add 1.1K %1 resistor to GND.
VREF	125	Analog	Analog Reference Voltage.
RC	119	I, SCHE	RC Input for Power On reset. Reset input pin.
XI	120	I, Analog	25M Crystal Input. 25M Crystal Input. Variation is limited to +/- 50ppm.
XO	121	O, Analog	25M Crystal Output. When connected to oscillator, this pin should left unconnected.
CFG0	86	I, PU	Configuration of Port 4 MII Mode CFG0 P4TYPE Description 0 00 5 Port and 1 MII interface 0 01 4 Port and 2 MII(MAC) interface 1 xx 4 Port and 1 MII(MAC) and 1 MII(PCS)
MDIO	40	I/O, 8mA PU	Management Data. MDIO transfers management data in and out of the device synchronous to MDC.
MDC	44	I, SCHE	Management Data Reference Clock. A non-continuous clock input for management usage. ADM7001/T will use this clock to sample data input on MDIO and drive data onto MDIO according to rising edge of this clock.
TEST	41	I, PD	TEST Value. At normal application connect to GND.

Chapter 3 Function Description

3.1 Functional Descriptions

The ADM6996F integrates four 100Base-X physical sub-layer (PHY), 100Base-TX physical medium dependent (PMD) transceivers, four complete 10Base-T modules, 6 port 10/100 switch controller and two 10/100 MII/GPSI MAC and memory into a single chip for both 10Mbps/s, 100Mbps/s Ethernet switch operation. It also supports 100Base-FX operation through external fiber-optic transceivers. The device is capable of operating in either Full Duplex mode or Half-Duplex mode in 10Mbps/s and 100Mbps/s. Operational modes can be selected by hardware configuration pins, software settings of management registers, or determined by the on-chip auto negotiation logic.

The ADM6996F consists of three major blocks:

- 10/100M PHY Block
- Switch Controller Block
- Built-in SSRAM

The interfaces used for communication between PHY block and switch core is MII interface.

Auto MDIX function is supported in this block. This function can be Enable/Disable by hardware pin.

3.2 10/100M PHY Block

The 100Base-X section of the device implements the following functional blocks:

- 100Base-X physical coding sub-layer (PCS)
- 100Base-X physical medium attachment (PMA)
- Twisted-pair transceiver (PMD)
- The 100Base-X and 10Base-T sections share the following functional blocks.
- Clock synthesizer module
- MII Registers
- IEEE 802.3u auto negotiation

3.3 100Base-X Module

The ADM6996F implements 100Base-X compliant PCS and PMA and 100Base-TX compliant TP-PMD as illustrated in Figure 2. Bypass options for each of the major functional blocks within the 100Base-X PCS provides flexibility for various applications. 100Mbps/s PHY loop back is included for diagnostic purpose.

3.4 100Base-X Receiver

The 100Base-X receiver consists of functional blocks required to recover and condition the 125Mbps/s receive data stream. The ADM6996F implements the 100Base-X receiving state machine diagram as given in ANSI/IEEE Standard 802.3u, Clause 24. The 125Mbps/s receive data stream may originate from the on-chip twisted-pair transceiver in a 100Base-TX application. Alternatively, the receive data stream may be generated by an external optical receiver as in a 100Base-FX application.

The receiver block consists of the following functional sub-blocks:

- A/D Converter
- Adaptive Equalizer and timing recovery module
- NRZI/NRZ and serial/parallel decoder
- De-scrambler
- Symbol alignment block
- Symbol Decoder
- Collision Detect Block
- Carrier sense Block
- Stream decoder block

3.4.1 A/D Converter

A high performance A/D converter with 125Mhz sampling rate converts signals received on RXP/RXN pins to 6 bits data streams; it also possess auto-gain-control capabilities that will further improve receive performance especially under long cable or harsh detrimental signal integrity. Due to high pass characteristic on transformer, built in base-line-wander correcting circuit will cancel it out and restore its DC level.

3.4.2 Adaptive Equalizer and timing Recovery Module

All digital design is especially immune from noise environments and achieves better correlation between production and system testing. Baud rate Adaptive Equalizer/Timing Recovery compensates line loss induced from twisted pair and tracks far end clock at 125M samples per second. Adaptive Equalizer implemented with Feed forward and Decision Feedback techniques meet the requirement of BER less than 10⁻¹² for transmission on CAT5 twisted pair cable ranging from 0 to 120 meters.

3.4.3 NRZI/NRZ and Serial/Parallel Decoder

The recovered data is converted from NRZI to NRZ. The data is not necessarily aligned to 4B/5B code group's boundary.

3.4.4 Data De-scrambling

The de-scrambler acquires synchronization with the data stream by recognizing idle bursts of 40 or more bits and locking its deciphering Linear Feedback Shift Register (LFSR) to the state of the scrambling LFSR. Upon achieving synchronization, the incoming data is XORed by the deciphering LFSR and de-scrambled.

In order to maintain synchronization, the de-scrambler continuously monitors the validity of the unscrambled data that it generates. To ensure this, a link state monitor and a hold timer are used to constantly monitor the synchronization status. Upon synchronization of the de-scrambler the hold timer starts a 722 us countdown. Upon detection of sufficient idle symbols within the 722 us period, the hold timer will reset and begin a new countdown. This monitoring operation will continue indefinitely given a properly operating network connection with good signal integrity. If the link state monitor does not recognize sufficient unscrambled idle symbols within 722 us period, the de-scrambler will be forced out of the current state of synchronization and reset in order to re-acquire synchronization.

3.4.5 Symbol Alignment

The symbol alignment circuit in the ADM6996F determines code word alignment by recognizing the /J/K delimiter pair. This circuit operates on unaligned data from the de-scrambler. Once the /J/K symbol pair (11000 10001) is detected, subsequent data is aligned on a fixed boundary.

3.4.6 Symbol Decoding

The symbol decoder functions as a look-up table that translates incoming 5B symbols into 4B nibbles as shown in Table 1. The symbol decoder first detects the /J/K symbol pair preceded by idle symbols and replaces the symbol with MAC preamble. All subsequent 5B symbols are converted to the corresponding 4B nibbles for the duration of the entire packet. This conversion ceases upon the detection of the /T/R symbol pair denoting the end of stream delimiter (ESD). The translated data is presented on the internal RXD[3:0] signal lines with RXD[0] represents the least significant bit of the translated nibble.

3.4.7 Valid Data Signal

The valid data signal (RXDV) indicates that recovered and decoded nibbles are being presented on the internal RXD[3:0] synchronous to receive clock, RXCLK. RXDV is asserted when the first nibble of translated /J/K is ready for transfer over the internal MII. It remains active until either the /T/R delimiter is recognized, link test indicates failure, or no signal is detected. On any of these conditions, RXDV is de-asserted.

3.4.8 Receive Errors

The RXER signal is used to communicate receiver error conditions. While the receiver is in a state of holding RXDV asserted, the RXER will be asserted for each code word that does not map to a valid code-group.

3.4.9 100Base-X Link Monitor

The 100Base-X link monitor function allows the receiver to ensure that reliable data is being received. Without reliable data reception, the link monitor will halt both transmit and receive operations until such time that a valid link is detected.

The ADM6996F performs the link integrity test as outlined in IEEE 100Base-X (Clause 24) link monitor state diagram. The link status is multiplexed with 10Mbits/s link status to form the reportable link status bit in serial management register 1h, and driven to the LNKACT pin.

When persistent signal energy is detected on the network, the logic moves into a Link-Ready state after approximately 500 us, and waits for an enable from the auto negotiation module. When receive, the link-up state is entered, and the transmission and reception logic blocks become active. Should auto negotiation be disabled, the link integrity logic moves immediately to the link-up state after entering the link-ready state.

3.4.10 Carrier Sense

Carrier sense (CRS) for 100Mbits/s operation is asserted upon the detection of two noncontiguous zeros occurring within any 10-bit boundary of the received data stream.

The carrier sense function is independent of symbol alignment. In switch mode, CRS is asserted during either packet transmission or reception. For repeater mode, CRS is asserted only during packet reception. When the idle symbol pair is detected in the received data stream, CRS is de-asserted. In repeater mode, CRS is only asserted due to receive activity. CRS is intended to encapsulate RXDV.

3.4.11 Bad SSD Detection

A bad start of stream delimiter (Bad SSD) is an error condition that occurs in the 100Base-X receiver if carrier is detected (CRS asserted) and a valid /J/K set of code-group (SSD) is not received.

If this condition is detected, then the ADM6996F will assert RXER and present $RXD[3:0] = 1110$ to the internal MII for the cycles that correspond to received 5B code-groups until at least two idle code-groups are detected. Once at least two idle code groups are detected, RXER and CRS become de-asserted.

3.4.12 Far-End Fault

Auto negotiation provides a mechanism for transferring information from the Local Station to the link Partner that a remote fault has occurred for 100Base-TX. As auto negotiation is not currently specified for operation over fiber, the far end fault indication function (FEFI) provides this capability for 100Base-FX applications.

A remote fault is an error in the link that one station can detect while the other cannot. An example of this is a disconnected wire at a station's transmitter. This station will be receiving valid data and detect that the link is good via the link integrity monitor, but will not be able to detect that its transmission is not propagating to the other station.

A 100Base-FX station that detects such a remote fault may modify its transmitted idle stream from all ones to a group of 84 ones followed by a single 0. This is referred to as the FEFI idle pattern.

3.5 100Base-TX Transceiver

ADM6996F implements a TP-PMD compliant transceiver for 100Base-TX operation. The differential transmit driver is shared by the 10Base-T and 100Base-TX subsystems. This arrangement results in one device that uses the same external magnetic for both the 10Base-T and the 100Base-TX transmission with simple RC component connections. The individually wave-shaped 10Base-T and 100Base-TX transmit signals are multiplexed in the transmission output driver selection.

3.5.1 Transmit Drivers

The ADM6996F 100Base-TX transmission driver implements MLT-3 translation and wave-shaping functions. The rise/fall time of the output signal is closely controlled to conform to the target range specified in the ANSI TP-PMD standard.

3.5.2 Twisted-Pair Receiver

For 100Base-TX operation, the incoming signal is detected by the on-chip twisted-pair receiver that consists of a differential line receiver, an adaptive equalizer and a base-line wander compensation circuits.

The ADM6996F uses an adaptive equalizer that changes filter frequency response in accordance with cable length. The cable length is estimated based on the incoming signal strength. The equalizer tunes itself automatically for any cable length to compensate for the amplitude and phase distortions incurred from the cable.

3.6 10Base-T Module

The 10Base-T Transceiver Module is IEEE 802.3 compliant. It includes the receiver, transmitter, collision, heartbeat, loop back, jabber, wave shaper, and link integrity

functions, as defined in the standard. Figure 3 provides an overview for the 10Base-T module.

The ADM6996F 10Base-T module is comprised of the following functional blocks:

- Manchester encoder and decoder
- Collision detector
- Link test function
- Transmit driver and receiver
- Serial and parallel interface
- Jabber and SQE test functions
- Polarity detection and correction

3.6.1 Operation Modes

The ADM6996F 10Base-T module is capable of operating in either half-duplex mode or full-duplex mode. In half-duplex mode, the ADM6996F functions as an IEEE 802.3 compliant transceiver with fully integrated filtering. The COL signal is asserted during collisions or jabber events, and the CRS signal is asserted during transmit and receive. In full duplex mode the ADM6996F can simultaneously transmit and receive data.

3.6.2 Manchester Encoder/Decoder

Data encoding and transmission begins when the transmission enable input (TXEN) goes high and continues as long as the transceiver is in good link state. Transmission ends when the transmission enable input goes low. The last transition occurs at the center of the bit cell if the last bit is a 1, or at the boundary of the bit cell if the last bit is 0.

Decoding is accomplished by a differential input receiver circuit and a phase-locked loop that separate the Manchester-encoded data stream into clock signals and NRZ data. The decoder detects the end of a frame when no more mid bit transitions are detected. Within one and half bit times after the last bit, carrier sense is de-asserted.

3.6.3 Transmit Driver and Receiver

The ADM6996F integrates all the required signal conditioning functions in its 10Base-T block such that external filters are not required. Only one isolation transformer and impedance matching resistors are needed for the 10Base-T transmit and receive interface. The internal transmit filtering ensures that all the harmonics in the transmission signal are attenuated properly.

3.6.4 Smart Squelch

The smart squelch circuit is responsible for determining when valid data is present on the differential receive. The ADM6996F implements an intelligent receive squelch on the RXP/RXN differential inputs to ensure that impulse noise on the receive inputs will not be mistaken for a valid signal. The squelch circuitry employs a combination of amplitude

and timing measurements (as specified in the IEEE 802.3 10Base-T standard) to determine the validity of data on the twisted-pair inputs.

The signal at the start of the packet is checked by the analog squelch circuit and any pulses not exceeding the squelch level (either positive or negative, depending upon polarity) will be rejected. Once this first squelch level is overcome correctly, the opposite squelch level must then be exceeded within 150ns. Finally, the signal must exceed the original squelch level within an additional 150ns to ensure that the input waveform will not be rejected.

Only after all these conditions have been satisfied will a control signal be generated to indicate to the remainder of the circuitry that valid data is present.

Valid data is considered to be present until the squelch level has not been generated for a time longer than 200 ns, indicating end of packet. Once good data has been detected, the squelch levels are reduced to minimize the effect of noise, causing premature end-of-packet detection. The receive squelch threshold level can be lowered for use in longer cable applications. This is achieved by setting bit 10 of register address 11h.

3.7 Carrier Sense

Carrier Sense (CRS) is asserted due to receive activity once valid data is detected via the smart squelch function. For 10 Mbits/s half duplex operation, CRS is asserted during either packet transmission or reception. For 10 Mbits/s full duplex and repeater mode operations, the CRS is asserted only due to receive activity.

3.8 Jabber Function

The jabber function monitors the ADM6996F output and disables the transmitter if it attempts to transmit a longer than legal sized packet. If TXEN is high for greater than 24ms, the 10Base-T transmitter will be disabled. Once disabled by the jabber function, the transmitter stays disabled for the entire time that the TXEN signal is asserted. This signal has to be de-asserted for approximately 256 ms (The un-jab time) before the jabber function re-enables the transmit outputs. The jabber function can be disabled by programming bit 4 of register address 10h to high.

3.9 Link Test Function

A link pulse is used to check the integrity of the connection with the remote end. If valid link pulses are not received, the link detector disables the 10Base-T twisted-pair transmitter, receiver, and collision detection functions.

The link pulse generator produces pulses as defined in IEEE 802.3 10Base-T standard. Each link pulse is nominally 100ns in duration and is transmitted every 16 ms, in the absence of transmit data.

3.10 Automatic Link Polarity Detection

ADM6996F's 10Base-T transceiver module incorporates an "automatic link polarity detection circuit". The inverted polarity is determined when seven consecutive link pulses of inverted polarity or three consecutive packets are received with inverted end-of-packet pulses. If the input polarity is reversed, the error condition will be automatically corrected and reported in bit 5 of register 10h.

3.11 Clock Synthesizer

The ADM6996F implements a clock synthesizer that generates all the reference clocks needed from a single external frequency source. The clock source must be a TTL level signal at 25 MHz +/- 50ppm

3.12 Auto Negotiation

The Auto Negotiation function provides a mechanism for exchanging configuration information between two ends of a link segment and automatically selecting the highest performance mode of operation supported by both devices. Fast Link Pulse (FLP) Bursts provide the signaling used to communicate auto negotiation abilities between two devices at each end of a link segment. For further detail regarding auto negotiation, refer to Clause 28 of the IEEE 802.3u specification. The ADM6996F supports four different Ethernet protocols, so the inclusion of auto negotiation ensures that the highest performance protocol will be selected based on the ability of the link partner.

Highest priority relative to the following list:

- 100Base-TX full duplex (highest priority)
- 100Base-TX half duplex
- 10Base-T full duplex
- 10Base-T half duplex (lowest priority)

3.13 Memory Block

ADM6996F build in memory is divided as two blocks. One is MAC addressing table and another one is data buffer.

MAC address Learning Table size is 2048 entry with each entry occupy eight bytes length. These eight bytes data include 6 bytes source address, VLAN information, Port information and Aging counter.

Data buffer is divided to 256 bytes/block. ADM6996F buffer management is per port fixed block number and all port share one global buffer. This architecture can get better memory utilization and network balance on different speed and duplex test condition.

Received packet will separate as several 256 bytes/block and chain together. If packet size more than 256 bytes then ADM6996F will chain two or more block to store receiving packet.

3.14 Switch Functional Description

The ADM6996F uses a “store & forward” switching approach for the following reason: Store & forward switches allow switching between different speed media (e.g. 10BaseX and 100BaseX). Such switches require the large elastic buffer especially bridging between a server on a 100Mbps network and clients on a 10Mbps segment.

Store & forward switches improve overall network performance by acting as a “network cache”

Store & forward switches prevent the forwarding of corrupted packets by the frame check sequence (FCS) before forwarding to the destination port.

3.15 Basic Operation

The ADM6996F receives incoming packets from one of its ports, searches in the Address Table for the Destination MAC Address and then forwards the packet to the other port within same VLAN group, if appropriate. If the destination address is not found in the address table, the ADM6996F treats the packet as a broadcast packet and forwards the packet to the other ports which in same VLAN group.

The ADM6996F automatically learns the port number of attached network devices by examining the Source MAC Address of all incoming packets at wire speed. If the Source Address is not found in the Address Table, the device adds it to the table.

3.15.1 Address Learning

The ADM6996F uses a hash algorithm to learn the MAC address and can learn up to 2K MAC addresses. Address is stored in the Address Table. The ADM6996F searches for the Source Address (SA) of an incoming packet in the Address Table and acts as below:

If the SA was not found in the Address Table (a new address), the ADM6996F waits until the end of the packet (non-error packet) and updates the Address Table. If the SA was found in the Address Table, then aging value of each corresponding entry will be reset to 0.

When the DA is PAUSE command, then the learning process will be disabled automatically by ADM6996F.

3.15.2 Address Recognition and Packet Forwarding

The ADM6996F forwards the incoming packets between bridged ports according to the Destination Address (DA) as below. All the packet forwarding will check VLAN first. Forwarding port must same VLAN with source port.

- 1) If the DA is an UNICAST address and the address was found in the Address Table, the ADM6996F will check the port number and acts as follows:
 - ♦ If the port number is equal to the port on which the packet was received, the packet is discarded.
 - ♦ If the port number is different, the packet is forwarded across the bridge.
- 2) If the DA is an UNICAST address and the address was not found, the ADM6996F treats it as a multicast packet and forwards across the bridge.
- 3) If the DA is a Multicast address, the packet is forwarded across the bridge.
- 4) If the DA is PAUSE Command (01-80-C2-00-00-01), then this packet will be dropped by ADM6996F. ADM6996F can issue and learn PAUSE command.
- 5) ADM6996F will forward the packet with DA of (01-80-C2-00-00-00), filter out the packet with DA of (01-80-C2-00-00-01), and forward the packet with DA of (01-80-C2-00-00-02 ~ 01-80-C2-00-00-0F)

3.15.3 Address Aging

Address aging is supported for topology changes such as an address moving from one port to the other. When this happens, the ADM6996F internally has a 300 seconds timer will aged out (remove) the address from the address table. Aging function can enable/disable by user. Normally, disabling aging function is for security purpose.

3.15.4 Back off Algorithm

The ADM6996F implements the truncated exponential back off algorithm compliant to the 802.3 CSMA-CD standard. ADM6996F will restart the back off algorithm by choosing 0-9 collision counts. The ADM6996F resets the collision counter after 16 consecutive retransmit trials.

3.15.5 Inter-Packet Gap (IPG)

IPG is the idle time between any two successive packets from the same port. The typical number is 96 bits time. The value is 9.6us for 10Mbps ETHERNET, 960ns for 100Mbps fast ETHERNET and 96ns for 1000M. ADM6996F provide option of 92 bit gap in EEPROM to prevent packet lost when turn off Flow Control and clock P.P.M. value difference.

3.15.6 Illegal Frames

The ADM6996F will discard all illegal frames such as runt packet (less than 64 bytes), oversize packet (greater than 1518 or 1522 bytes) and bad CRC. Dribbling packing with good CRC value will accept by ADM6996F. In case of bypass mode enabled, ADM6996F will support tag and untagged packets with size up to 1522 bytes. In case of non-bypass mode, ADM6996F will support tag packets up to 1526bytes, untagged packets up to 1522bytes.

3.15.7 Half Duplex Flow Control

Back Pressure function is supported for half-duplex operation. When the ADM6996F cannot allocate a receive buffer for an incoming packet (buffer full), the device will transmit a jam pattern on the port, thus forcing a collision. Back Pressure is enabled by the BPEN set during RESET asserting. An Infineon-ADMtek Co Ltd proprietary algorithm is implemented inside the ADM6996F to prevent back pressure function cause HUB partitioned under heavy traffic environment and reduce the packet lost rate to increase the whole system performance.

3.15.8 Full Duplex Flow Control

When full duplex port run out of its receive buffer, a PAUSE packet command will be issued by ADM6996F to notice the packet sender to pause transmission. This frame based flow control is totally compliant to IEEE 802.3x. ADM6996F can issue or receive pause packet.

3.15.9 Broadcast Storm filter

If Broadcast Storming filter is enable, the broadcast packets over the rising threshold within 50 ms will be discarded by the threshold setting. See EEPROM Reg.10h.

Broadcast storm mode after initial:

- time interval : 50ms

the max. packet number = 7490 in 100Base, 749 in 10Base

Per Port Rising Threshold				
	00	01	10	11
All 100TX	Disable	10%	20%	40%
Not All 100TX	Disable	1%	2%	4%

Per Port Falling Threshold				
	00	01	10	11
All 100TX	Disable	5%	10%	20%
Not All 100TX	Disable	0.5%	1%	2%

3.16 Auto TP MDIX function

At normal application which Switch connect to NIC card is by one by one TP cable. If

Switch connect other device such as another Switch must by two way. First one is Cross Over TP cable. Second way is use extra RJ45 which crossover internal TX+- and RX+- signal. By second way customer can use one by one cable to connect two Switch devices. All these effort need extra cost and not good solution. ADM6996F provide Auto MDIX function which can adjust TX+- and RX+- at correct pin. User can use one by one cable between ADM6996F and other device. This function can be Enable/Disable by hardware pin and EEPROM configuration register 0x01h~0x09h bit 15. If hardware pin set all port at Auto MDIX mode then EEPROM setting is useless. If hardware pin set all port at non Auto MDIX mode then EEPROM can set each port this function enable or disable.

3.17 Port Locking

Port locking function will provide customer simple way to limit per port user number to one. If this function is turn on then ADM6996F will lock first MAC address in learning table. After this MAC address locking will never age out except Reset signal. Another MAC address which not same as locking one will be dropped. ADM6996F provide one MAC address per port. This function is per port setting. When turn on Port Locking function, recommend customer turn off aging function. See EEPROM register 0x12h bit 0~8.

3.18 VLAN setting & Tag/Untag & port-base VLAN

ADM6996F supports bypass mode and untagged port as default setting while the chip is power-on. Thus, every packet with or without tag will be forwarding to the destination port without any modification by ADM6996F. Meanwhile port-base VLAN could be enabled according to the PVID value (user define 4bits to map 16 groups written at register 13 to register 22) of the configuration content of each port.

ADM6996F also supports 16 802.1Q VLAN groups. In VLAN four bytes tag include twelve VLAN ID. ADM6996F learn user define four bits of VID. If user need to use this function, two EEPROM registers are needed to be programmed first :

* Port VID number at EEPROM register 0x01h~0x09h bit 13~10, register 0x28h~0x2bh and register 0x2ch bit 7~0: ADM6996F will check coming packet. If coming packet is non VLAN packet then ADM6996F will use PVID as VLAN group reference. ADM6996F will use packet's VLAN value when receive tagged packet.

* VLAN Group Mapping Register. EEPROM register 013h~022h define VLAN grouping value. User use these register to define VLAN group.

User can define each port as Tag port or Untag port by Configuration register Bit 4. The operation of packet between Tag port and Untag port can explain by follow example:

Example1: Port receives Untag packet and send to Untag port.

ADM6996F will check the port user define four bits of VLAN ID first then check VLAN group register. If destination port same VLAN as receiving port then this packet will forward to destination port without any change. If destination port not same VLAN

as receiving port then this packet will be dropped.

Example2: Port receives Untag packet and send to Tag port.

ADM6996F will check the port user define fours bits of VLAN ID first then check VLAN group resister. If destination port same VLAN as receiving port than this packet will forward to destination port with four byte VLAN Tag and new CRC. If destination port not same VLAN as receiving port then this packet will be dropped.

Example3: Port receives Tag packet and send to Untag port.

ADM6996F will check the packet VLAN ID first then check VLAN group resister. If destination port same VLAN as receiving port than this packet will forward to destination port after remove four bytes with new CRC error. If destination port not same VLAN as receiving port then this packet will be dropped.

Example4: Port receives Tag packet and send to Tag port.

ADM6996F will check the user define packet VLAN ID first then check VLAN group resister. If destination port same VLAN as receiving port than this packet will forward to destination port without any change. If destination port not same VLAN as receiving port then this packet will be dropped.

3.19 Priority Setting

It is a trend that data, voice and video will be put on networking, Switch not only deal data packet but also provide service of multimedia data. ADM6996F provides two priority queues on each port with N:1 rate. See EEPROM Reg.0x10h.

This priority function can set three ways as below:

- * By Port Base: Set specific port at specific queue. ADM6996F only check the port priority and not check packet's content VLAN and TOS.
- * By VLAN first: ADM6996F check VLAN three priority bit first then IP TOS priority bits.
- * By IP TOS first: ADM6996F check IP TOS three priority bit first then VLAN three priority bits.

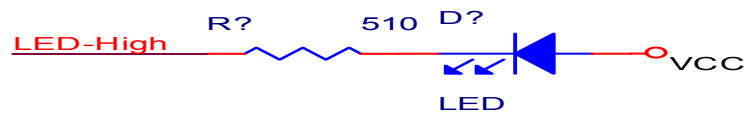
If port set at VLAN/TOS priority but receiving packet without VLAN or TOS information then port base priority will be used .

3.20 LED Display

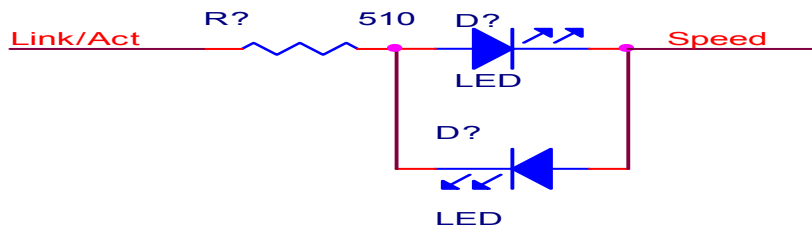
Three LED per port are provided by ADM6996F. Link/Act, Duplex/Col & Speed are three LED display of ADM6996F. Dual color LED mode also supported by ADM6996F. For easy production purpose ADM6996F will send test signal to each LED at power on reset stage. EEPROM register 0x12h define LED configuration table.

ADM6996F LED is active Low signal. Dupcol0 & Dupcol1 will check external signal at Reset time. If external signal add pull high then LED will active Low. If external signal add pull down resistor then LED will drive high.

Single Color Mode



Dual Color Mode



Chapter 4 Register Description

4.1 EEPROM Content

EEPROM provides ADM6996F many options setting such as:

- Port Configuration: Speed, Duplex, Flow Control Capability and Tag/ Untag.
- VLAN & TOS Priority Mapping
- Broadcast Storming rate and Trunk.
- Fiber Select, Auto MDIX select
- VLAN Mapping
- Per Port Buffer number

4.2 EEPROM Register Map

Register	Bit 15- 8	Bit 7 - 0	Default Value
0x00h	Signature	Signature	0x4154h
0x01h	Port 0 Configuration	Port 0 Configuration	0x040fh
0x02h	Reserved	Reserved	0x040fh
0x03h	Port 1 Configuration	Port 1 Configuration	0x040fh
0x04h	Reserved	Reserved	0x040fh
0x05h	Port 2 Configuration	Port 2 Configuration	0x040fh
0x06h	Reserved	Reserved	0x040fh
0x07h	Port 3 Configuration	Port 3 Configuration	0x040fh
0x08h	Port 4 Configuration	Port 4 Configuration	0x040fh
0x09h	Port 5 Configuration	Port 5 Configuration	0x040fh
0x0ah	VID 0, 1 option	Reserved	0x5902h
0x0bh	Configuration Register	Configuration Register	0x8000h
0x0ch	Reserved	Reserved	0xfa50h
0x0dh	Reserved	Reserved	0xfa50h
0x0eh	VLAN priority Map High	VLAN priority Map Low	0x5500h
0x0fh	TOS priority Map High	TOS priority Map Low	0x5500h
0x10h	Miscellaneous Configuration 0	Miscellaneous Configuration 0	0x0040h
0x11h	Miscellaneous Configuration 1	Miscellaneous Configuration 1	0xff00h
0x12h	Miscellaneous Configuration 2	Miscellaneous Configuration 2	0x3600h
0x13h	VLAN 0 outbound Port Map	VLAN 0 outbound Port Map	0xffffh
0x14h	VLAN 1 outbound Port Map	VLAN 1 outbound Port Map	0xffffh
0x15h	VLAN 2 outbound Port Map	VLAN 2 outbound Port Map	0xffffh
0x16h	VLAN 3 outbound Port Map	VLAN 3 outbound Port Map	0xffffh
0x17h	VLAN 4 outbound Port Map	VLAN 4 outbound Port Map	0xffffh
0x18h	VLAN 5 outbound Port Map	VLAN 5 outbound Port Map	0xffffh
0x19h	VLAN 6 outbound Port Map	VLAN 6 outbound Port Map	0xffffh
0x1ah	VLAN 7 outbound Port Map	VLAN 7 outbound Port Map	0xffffh
0x1bh	VLAN 8 outbound Port Map	VLAN 8 outbound Port Map	0xffffh

Register	Bit 15- 8	Bit 7 - 0	Default Value
0x1ch	VLAN 9 outbound Port Map	VLAN 9 outbound Port Map	0xffffh
0x1dh	VLAN 10 outbound Port Map	VLAN 10 outbound Port Map	0xffffh
0x1eh	VLAN 11 outbound Port Map	VLAN 11 outbound Port Map	0xffffh
0x1fh	VLAN 12 outbound Port Map	VLAN 12 outbound Port Map	0xffffh
0x20h	VLAN 13 outbound Port Map	VLAN 13 outbound Port Map	0xffffh
0x21h	VLAN 14 outbound Port Map	VLAN 14 outbound Port Map	0xffffh
0x22h	VLAN 15 outbound Port Map	VLAN 15 outbound Port Map	0xffffh
0x23h	Reserved	Reserved	0x0000h
0x24h	Reserved	Reserved	0x0000h
0x25h	Reserved	Reserved	0x0000h
0x26h	Reserved	Reserved	0x0000h
0x27h	Reserved	Reserved	0x0000h
0x28h	Reserved	P0 PVID [11:4]	0x0000h
0x29h	Reserved	P1 PVID [11:4]	0x0000h
0x2ah	Reserved	P2 PVID [11:4]	0x0000h
0x2bh	P4 PVID [11:4]	P3 PVID [11:4]	0x0000h
0x2ch	VLAN Group Configuration	P5 PVID [11:4]	0xd000h
0x2dh	Reserved		0x4442h
0x2eh	Reserved		0x0000h
0x2fh	PHY Restart		0x0000h
0x30h	Miscellaneous Configuration 3	Miscellaneous Configuration 3	0x0987h
0x31h	Bandwidth Control Register 3,2	Bandwidth Control Register 1,0	0x0000h
0x32h	Reserved	Bandwidth Control Register 5,4	0x0000h
0x33h	Bandwidth Control Enable	Bandwidth Control Enable	0x0000h

4.3 EEPROM Register

4.3.1 Signature Register, offset: 0x00h

Bits	Type	Description	Initial value
15:0	RO	The value must be 4154h(AT)	0x4154h

Note:

ADM6996F will check register 0 value before read all EEPROM content. If this value not match with 0x4154h then other values in EEPROM will be useless. ADM6996F will use internal default value. User cannot write Signature register when programming ADM6996F internal register.

4.3.2 Configuration Registers, offset: 0x01h ~ 0x09h

Bits	Type	Description	Initial value
15	R/W	Crossover Auto MDIX enable. 1: enable. 0: disable. Note: Hardware Reset latch value EECK can set global Auto MDIX function. If hardware pin set all port at Auto MDIX then this bit is useless. If hardware pin set chip at non Auto MDIX then this bit can set each port at Auto MDIX.	0x0h
14	R/W	Select FX. 1: FX mode. 0: TP mode. Note: Port7 TX/FX can set by hardware Reset latch value P7FX. If hardware pin set Port7 as FX then this bit is useless. If hardware pin set Port7 as TX then this pin can set Port7 as FX or TX.	0x0h
13:10	R/W	PVID. Port VLAN ID. Check Register 0x28h~0x2ch for other PVID[11:4]	0x1h
9:8	R/W	Port-base priority.	0x0h
7	R/W	Enable port-base priority. 1: Port Base Priority. 0: VLAN or TOS. If packet without VLAN or TOS then port priority turn on. Note: If this bit turn on then ADM6996F will not check TOS or VLAN as priority reference. ADM6996F will check port base priority only. ADM6996F default is bypass mode which checks port base priority only. If user wants to check VLAN tag priority then must set chip at Tag mode.	0x0h
6	R/W	TOS over VLAN priority. 1: Check TOS first, 0: Check VLAN.	0x0h
5	R/W	Port Disable. 1: disable port. 0: enable port.	0x0h
4	R/W	Output Packet Tagging. 1: Tag. 0:UnTag.	0x0h
3	R/W	Duplex. 1: Full Duplex, 0: Half Duplex.	0x1h
2	R/W	Speed. 1: 100M, 0: 10M.	0x1h
1	R/W	Auto negotiation Enable. 1: enable, 0: disable.	0x1h
0	R/W	802.3x Flow control command ability. 1: enable. 0: disable.	0x1h

4.3.3 Reserved Register, offset: 0x0ah

Bits	Type	Description	Initial value
15:10	RO	Reserved	0x16h
9	R/W	Replaced packet VID 0, 1 by PVID. 1: enable, 0: disable.	0x0h
8:0	RO	Reserved	0x102h

4.3.4 Configuration Register, offset: 0x0bh

Bits	Type	Description	Initial value
15	R/W	Disable Far End Fault detection. 1: disable. 0: enable.	0x1h
14:8	RO	Reserved	0x0h
7	R/W	Enable Trunk. 1: enable Port3, 4 as Trunk port. 0: disable.	0x0h
6	R/W	Enable IPG leveling. 1/92 bit. 0/96 bit. Note: When this bit is enable ADM6996F will transmit packet out at 92 bit IPG to clean buffer. If user disables this function then ADM6996F will transmit packet at 96 bit.	0x0h
5:0	RO	Reserved	0x0h

4.3.5 Reserved Register, offset: 0x0ch~0x0dh

Bits	Type	Description	Initial value
15:0	RO	Reserved	0xfa5h

4.3.6 VLAN priority Map Register, offset: 0x0eh

Bits	Type	Description	Initial value
15:14	R/W	Mapped priority of tag value (VLAN) 7.	0x3h
13:12	R/W	Mapped priority of tag value (VLAN) 6.	0x3h
11:10	R/W	Mapped priority of tag value (VLAN) 5.	0x2h
9:8	R/W	Mapped priority of tag value (VLAN) 4.	0x2h
7:6	R/W	Mapped priority of tag value (VLAN) 3.	0x1h
5:4	R/W	Mapped priority of tag value (VLAN) 2.	0x1h
3:2	R/W	Mapped priority of tag value (VLAN) 1.	0x0h
1:0	R/W	Mapped priority of tag value (VLAN) 0.	0x0h

Note:

Value 3 ~ 0 are for priority queue Q3~Q0 respectively.

The Weight ratio is Q3 : Q2 : Q1: Q0 = 8 : 4 : 2 : 1.

The default is port-base priority for un-tag packet and non_IP frame.

4.3.7 TOS priority Map Register, offset: 0x0fh

Bits	Type	Description	Initial value
15:14	R/W	Mapped priority of tag value (TOS) 7.	0x3h
13:12	R/W	Mapped priority of tag value (TOS) 6.	0x3h
11:10	R/W	Mapped priority of tag value (TOS) 5.	0x2h
9:8	R/W	Mapped priority of tag value (TOS) 4.	0x2h
7:6	R/W	Mapped priority of tag value (TOS) 3.	0x1h
5:4	R/W	Mapped priority of tag value (TOS) 2.	0x1h

Bits	Type	Description	Initial value
3:2	R/W	Mapped priority of tag value (TOS) 1.	0x0h
1:0	R/W	Mapped priority of tag value (TOS) 0.	0x0h

Note:

Value 3 ~ 0 are for priority queue Q3~Q0 respectively.

The Weight ratio is Q3 : Q2 : Q1: Q0 = 8 : 4 : 2 : 1.

The default is port-base priority for un-tag packet and non_IP frame.

4.3.8 Packet with Priority: Normal packet content

Ethernet Packet from Layer 2

Preamble/SFD	Destination (6 bytes)	Source (6 bytes)	Packet length (2 bytes)	Data (46-1500 bytes)	CRC (4 bytes)
	Byte 0~5	Byte 6~11	Byte 12~13	Byte 14~	

4.3.9 VLAN Packet

ADM6996F will check packet byte 12 &13. If byte[12:13]=8100h then this packet is a VLAN packet

Tag Protocol TD 8100	Tag Control Information TCI	LEN Length	Routing Information
Byte 12~13	Byte14~15	Byte 16~17	Byte 18

Byte 14~15: Tag Control Information TCI

Bit[15:13]: User Priority 7~0

Bit 12: Canonical Format Indicator (CFI)

Bit[11~0]: VLAN ID. The ADM6996F will use bit[3:0] as VLAN group.

4.3.10 TOS IP Packet

ADM6996F check byte 12 & 13 if this value is 0800h then ADM6996F knows this is a TOP priority packet.

Type 0800	IP Header
Byte 12~13	Byte 14~15

IP header define

Byte 14

Bit[7:0]: IP protocol version number & header length.

Byte 15: Service type

Bit[7~5]: IP Priority (Precedence) from 7~0

Bit 4: No Delay (D)

Bit 3: High Throughput

Bit 2: High Reliability (R)

Bit[1:0]: Reserved

4.3.11 Miscellaneous Configuration Register, offset: 0x10h

Bits	Type	Description	Initial value
15:14	R/W	Discard mode (drop scheme for Q3)	0x0h
13:12	R/W	Discard mode (drop scheme for Q2)	0x0h
11:10	R/W	Discard mode (drop scheme for Q1)	0x0h
9:8	R/W	Discard mode (drop scheme for Q0)	0x0h
7	R/W	Aging Disable. 1/disable aging, 0/enable aging. Default 0.	0x0h
6	RO	Reserved	0x1h
5	RO	Reserved	0x0h
4	R/W	XCRC. 1/disable CRC check, 0/enable CRC Check. Default 0.	0x0h
3	R/W	Reserved. Default 0.	0x0h
2	R/W	Broadcast Storming Enable. 1/ enable, 0/disable. Default 0.	0x0h
1:0	R/W	Broadcast Storming Threshold[1:0]. See below table.	0x0h

Note:

Bit[1:0]: Broadcast Storming threshold.

Broadcast storm mode after initial:

- time interval : 50ms

the max. packet number = 7490 in 100Base, 749 in 10Base

Note (Continued):

- per port rising threshold

	00	01	10	11
All 100TX	Disable	10%	20%	40%
Not All 100TX	Disable	1%	2%	4%

- per port falling threshold

	00	01	10	11
All 100TX	Disable	5%	10%	20%
Not All 100TX	Disable	0.5%	1%	2%

Bit 2: Broadcast Storming Enable. 0/Disable. 1/Enable.

Bit 4: CRC check disable. 1/ Disable. 0/Enable.

Bit 7: Aging Disable. 1/Disable. 0/Enable.

- Drop Scheme for each queue

Discard Mode Utilization	00	01	10	11
TBD	0%	0%	25%	50%

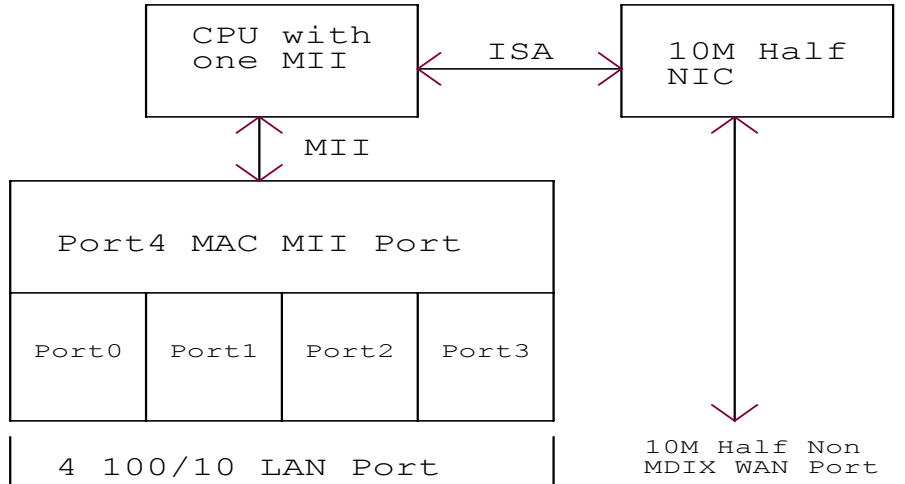
4.3.12 VLAN mode select Register, offset: 0x11h

Bits	Type	Description	Initial value
15:8	RO	Reserved	0xffh
7:6	RO	Reserved	0x0h
5	R/W	VLAN mode select 0: by-pass mode with port-base VLAN. 1: 802.1Q base VLAN.	0x0h
4	R/W	MAC Clone enable 0: Normal mode. Learning with SA only. ADM6996F fill/search MAC table by SA or DA only. 1: MAC Clone mode. Learning with SA, VID0. ADM6996F fill/search MAC table by SA or DA with VID0. This bit can let chip learn two same addresses with different VID0.	0x0h
3:0	RO	Reserved	0x0h

Note:**Below is Bit4, 5 VLAN Tag and MAC application example.**

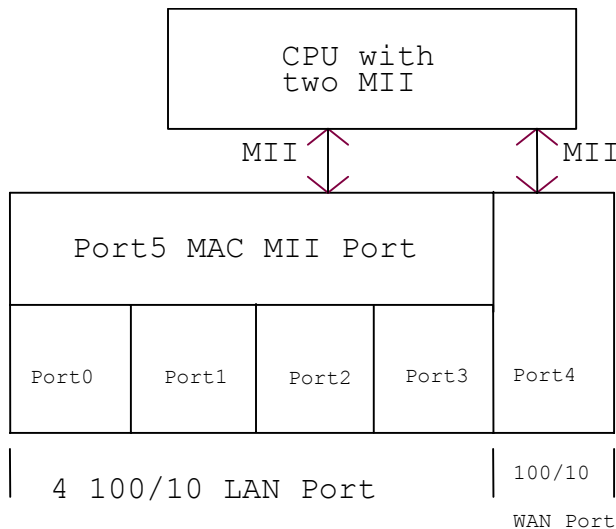
Below is some old architecture for a Router. The disadvantages of this are:

1. WAN ports only support 10M Half-Duplex and non-MDIX function.
2. Need extra 10M NIC i.e. cost.
3. ISA bus will become the bottleneck of the whole system.



Below is the new architecture using the ADM6996F serial chip VLAN function. The advantages of below are:

1. WAN Port can upgrade to 100/10 Full/Half , Auto MDIX.
2. No need for an extra NIC therefore much more economical.
3. High bandwidth of port 5 MII up to 200M speed.



VLAN & WAN Function

In this application, the CPU's MDC/MDIO interface is used to access all PHY and switch registers in ADM6996F. Port 4 is used as the WAN port and Port 5 is used to connect the

CPU. Because the WAN port need to be isolated from the LAN ports due to frames are different and need to be translated by CPU. CPU will act as the bridge to transmit, receive and translate frames between WAN and LAN. This isolated PHY can help to reduce the BOM costs and improve the Gateway router's performance.

4.3.13 Miscellaneous Configuration register, offset: 0x12h

Bits	Type	Description	Initial value
15	R/W	Drop packet when excessive collision happen enable. 1: enable, 0: disable.	0x0h
14	R/W	Reserved	0x0h
13:12	R/W	Power Saving Select	0x3h
11	R/W	Reserved	0x0h
10:9	R/W	Reserved	0x3h
8	R/W	Port5 MAC Lock. 1: Lock first MAC source address, 0: disable.	0x0h
7	R/W	Port4 MAC Lock. 1: Lock first MAC source address, 0: disable.	0x0h
6	R/W	Port3 MAC Lock. 1: Lock first MAC source address, 0: disable.	0x0h
5	R/W	Reserved	0x0h
4	R/W	Port2 MAC Lock. 1: Lock first MAC source address, 0: disable.	0x0h
3	R/W	Reserved	0x0h
2	R/W	Port1 MAC Lock. 1: Lock first MAC source address, 0: disable.	0x0h
1	R/W	Reserved	0x0h
0	R/W	Port0 MAC Lock. 1: Lock first MAC source address, 0: disable.	0x0h

4.3.14 VLAN mapping table registers, offset: 0x22h ~ 0x13h

Bits	Type	Description	Initial value
15:9	RO	Reserved	0x7fh
8:0	R/W	VLAN mapping table.	0x1ffh

Note:

16 VLAN Group: See Register 0x2ch bit 11=0

Bit0: Port0 Bit2: Port1 Bit4: Port2
 Bit6: Port3 Bit7: Port4 Bit8: Port5.

Select the VLAN group ports is to set the corresponding bits to 1.

4.3.15 Reserved Register, offset: 0x27h ~ 0x23h

Bits	Type	Description	Initial value
15:0	R/W	Reserved	0x0h

4.3.16 Port0, 1 PVID bit 11 ~ 4 Configuration Register, offset: 0x28h

Bits	Type	Description	Initial value
15:8	RO	Reserved	0x0h
7:0	R/W	Port0 PVID bit 11~4. These 8 bits combine with register 0x01h Bit [13~10] as full 12 bit VID.	0x0h

4.3.17 Port2, 3 PVID bit 11 ~ 4 Configuration Register, offset: 0x29h

Bits	Type	Description	Initial value
15:8	RO	Reserved	0x0h
7:0	R/W	Port1 PVID bit 11~4. These 8 bits combine with register 0x03h Bit[13~10] as full 12 bit VID.	0x0h

4.3.18 Port4, 5 PVID bit 11~4 Configuration Register, offset: 0x2ah

Bits	Type	Description	Initial value
15:8	RO	Reserved	0x0h
7:0	R/W	Port2 PVID bit 11~4. These 8 bits combine with register 0x05h Bit[13~10] as full 12 bit VID.	0x0h

4.3.19 Port6, 7 PVID bit 11~4 Configuration Register, offset: 0x2bh

Bits	Type	Description	Initial value
15:8	RO	Port4 PVID bit 11~4. These 8 bits combine with register 0x08h Bit[13~10] as full 12 bit VID.	0x0h
7:0	R/W	Port3 PVID bit 11~4. These 8 bits combine with register 0x07h Bit[13~10] as full 12 bit VID.	0x0h

**4.3.20 Port8 PVID bit 11~4 & VLAN group shift bits Configuration Register
offset: 0x2ch**

Bits	Type	Description	Initial value
15	R/W	Control reserved MAC (0180C2000000) 1: Forward, 0: Discard.	0x1h
14	R/W	Control reserved MAC (0180C2000001) 1: Forward, 0: Discard.	0x0h
13	R/W	Control reserved MAC (0180C2000002- 0180C200000F) 1: Forward, 0: Discard.	0x1h
12	R/W	Control reserved MAC (0180C2000010-0180C20000FF) 1: Forward, 0: Discard.	0x1h
11	R/W	Reserved	0x0h
10:8	R/W	Tag shift for VLAN grouping. Default 000. 0: VID[3:0] 1: VID[4:1] 2: VID[5:2]	0x0h

Bits	Type	Description	Initial value
		3: VID[6:3] 4: VID[7:4] 5: VID[8:5] 6: VID[9:6] 7: VID[10:7]	
7:0	R/W	Port5 PVID bit 11~4. These 8 bits combine with register 0x09h Bit[13~10] as full 12 bit VID.	0x0h

Note:

Bit[10:8]: VLAN Tag shift register. ADM6996F will select 4 bit from total 12 bit VID as VLAN group reference.

Bit[15:12]: IEEE 802.3 reserved DA forward or drop police.

4.3.21 Reserved Register, offset: 0x2dh

Bits	Type	Description	Initial value
15:0	R/W	Reserved	0x4442h

4.3.22 Reserved Register, offset: 0x2eh

Bits	Type	Description	Initial value
15:0	R/W	Reserved	0x0000h

4.3.23 PHY Restart, offset: 0x2fh

Bits	Type	Description	Initial value
15:0	R/W	Write 0x0000h to this register will restart internal PHYs.	0x0000h

4.3.24 Miscellaneous Configuration Register, offset: 0x30h

Bits	Type	Description	Initial value
15:13	R/W	Reserved	0x0h
12	R/W	Port 4 LED Mode. 1:Link/Act/Speed 0:LinkAct/DupCol/Speed	0x0h
11	R/W	Reserved	0x1h
10	R/W	Reserved	0x0h
9	R/W	Dual Speed Hub COL_LED Enable. 1: Dual Speed Hub LED display. Port0 Col LED: 10M Col LED. Port1 Col LED: 100M Col LED. 0: Normal LED display.	0x0h
8	R/W	Reserved	0x1h
7	R/W	Reserved	0x1h
6	R/W	MII Speed Double. 1: Port 5 MII RXCLK, TXCLK maximum speed is 50MHz 0: Port 5 MII RXCLK, TXCLK maximum speed is 25MHz	0x0h

Bits	Type	Description	Initial value
5	R/W	MAC Clone Enable Bit[1].	0x0h
4:3	R/W	Reserved	0x0h
2	R/W	Reserved	0x1h
1	R/W	Reserved	0x1h
0	R/W	Reserved	0x1h

4.3.25 Bandwidth Control Register0~3, offset: 0x31h

Bits	Type	Description	Initial value
15	R/W	Receive Packet Length Counted on the Source Port 3. 0 = The switch will add length to the P3 counter.	0x0h
14:12	R/W	Port 3 Meter Threshold Control. <i>Reference table below.</i>	0x0h
11	R/W	Receive Packet Length Counted on the Source Port 2. 0 = The switch will add length to the P2 counter.	0x0h
10:8	R/W	Port 2 Meter Threshold Control, default 000. <i>Reference table below.</i>	0x0h
7	R/W	Receive Packet Length Counted on the Source Port 1. 0 = The switch will add length to the P1 counter.	0x0h
6:4	R/W	Port 1 Meter Threshold Control, default 000. <i>Reference table below.</i>	0x0h
3	R/W	Receive Packet Length Counted on the Source Port 0. 0 = The switch will add length to the P0 counter.	0x0h
2:0	R/W	Port 0 Meter Threshold Control. <i>Reference table below.</i>	0x0h

Note: Reference Table

000	001	010	011	100	101	110	111
256K	512K	1M	2M	5M	10M	20M	50M

4.3.26 Bandwidth Control Register 4~5, offset: 0x32h

Bits	Type	Description	Initial value
15:8	RO	Reserved	0x0h
7	R/W	Receive Packet Length Counted on the Source Port 5 0 = The switch will add length to the P5 counter.	0x0h
6:4	R/W	Port 5 Meter Threshold Control	0x0h
3	R/W	Receive Packet Length Counted on the Source Port 4 0 = The switch will add length to the P4 counter.	0x0h
2:0	R/W	Port 4 Meter Threshold Control. <i>Reference table below.</i>	0x0h

Note: Reference Table

000	001	010	011	100	101	110	111
256K	512K	1M	2M	5M	10M	20M	50M

4.3.27 Bandwidth Control Enable Register, offset: 0x33h

Bits	Type	Description	Initial value
15:9	RO	Reserved	0x0h
8	R/W	Bandwidth Control Enable for Port 5.	0x0h
7	R/W	Bandwidth Control Enable for Port 4.	0x0h
6	R/W	Bandwidth Control Enable for Port 3.	0x0h
5	R/W	Reserved	0x0h
4	R/W	Bandwidth Control Enable for Port 2.	0x0h
3	R/W	Reserved	0x0h
2	R/W	Bandwidth Control Enable for Port 1.	0x0h
1	R/W	Reserved	0x0h
0	R/W	Bandwidth Control Enable for Port 0. 1 = Port 0 enables the bandwidth control. 0 = Port 0 disables the bandwidth control.	0x0h

4.4 EEPROM Access

Customer can select ADM6996F read EEPROM contents as chip setting or not. ADM6996F will check the signature of EEPROM to decide read content of EEPROM or not.

RESETL & EEPROM content relationship

RESETL	CS	SK	DI	DO
0	High Impedance	High Impedance	High Impedance	High Impedance
Rising edge 0→1 (30ms)	Output	Output	Output	Input
1 (after 30ms)	Input	Input	Output	Input

Keep at least 30ms after RESETL from 0→1. ADM6996F will read data from EEPROM. After RESETL if CPU update EEPROM that ADM6996F will update configuration registers too.

When CPU programming EEPROM & ADM6996F, ADM6996F recognizes the EEPROM WRITE instruction only. If there is any Protection instruction before or after the EEPROM WRITE instruction, CPU needs to generate separated CS signal cycle for each Protection & WRITE instruction.

CPU can directly program ADM6996F after 30ms of Reset signal rising edge with or without EEPROM

ADM6996F serial chips will latch hardware-reset value as recommend value. It includes EEPROM interface:

EECS: Internal Pull down 40K resistor.

EESK: TP port Auto-MDIX select. Internal pull down 40K resistor as non Auto-MDIX mode.

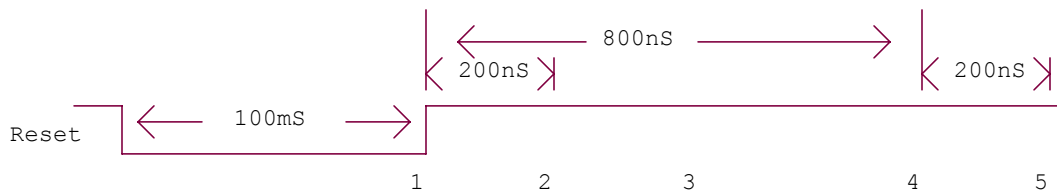
EDI: Dual Color Select. Internal pull down 40K resistor as Single Color Mode.

EDO: EEPROM enable. Internal pull up 40K resistor as EEPROM enable.

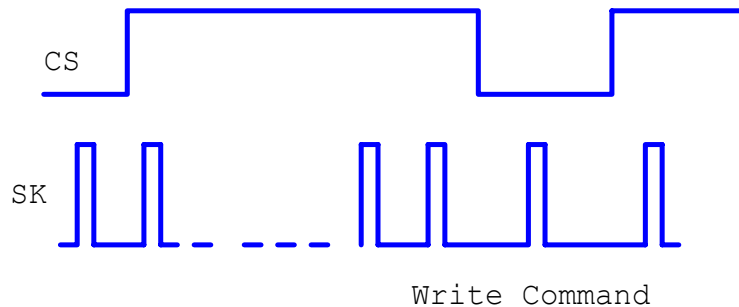
Below Figure is ADM6996F serial chips EEPROM pins operation at different stage. Reset signal is control by CPU with at least 100ms low. Point1 is Reset rising edge. CPU must prepare proper value on EECS(0), EESK, EDI, EDO(1) before this rising edge. ADM6996F will read this value into chip at Point2. CPU must keep these values over point2. Point2 is 200ns after Reset rising edge.

ADM6996F serial chips will read EEPROM content at Point4 which 800ns far away from the rising edge of Reset. CPU must turn EEPROM pins EECS, EESK, EDI and EDO to High-Z or pull high before Point4.

If user want change state to High-Z or pull high on EEPROM pins, the order is CS-> DI -> DO -> SK is better.



It's a little different with the timing on the writing EEPROM. See below graph. One must be careful when CS goes down after write a command, SK must issue at least one clock. This is a difference between the ADM6996F with EEPROM write timing. If the system is without EEPROM then user must write ADM6996F internal register by 93C66 timing. If user uses EEPROM then the writing timing is dependent on EEPROM type.



4.5 Serial Register Map

Register	Bit 31- 0	MODE	Default
0x00h	Chip Identifier	RO	0x00071010h
0x01h	Port Status 0	RO	0x00000000h
0x02h	Port Status 1	RO	0x00000000h
0x03h	Cable Broken Status	RO	0x00000000h
0x04h	Port 0 Receive Packet Count	RO	0x00000000h
0x05h	Reserved	RO	0x00000000h
0x06h	Port 1 Receive Packet Count	RO	0x00000000h
0x07h	Reserved	RO	0x00000000h
0x08h	Port 2 Receive Packet Count	RO	0x00000000h
0x09h	Reserved	RO	0x00000000h
0x0ah	Port 3 Receive Packet Count	RO	0x00000000h
0x0bh	Port 4 Receive Packet Count	RO	0x00000000h
0x0ch	Port 5 Receive Packet Count	RO	0x00000000h
0x0dh	Port 0 Receive Packet Byte Count	RO	0x00000000h
0x0eh	Reserved	RO	0x00000000h
0x0fh	Port 1 Receive Packet Byte Count	RO	0x00000000h
0x10h	Reserved	RO	0x00000000h
0x11h	Port 2 Receive Packet Byte Count	RO	0x00000000h
0x12h	Reserved	RO	0x00000000h
0x13h	Port 3 Receive Packet Byte Count	RO	0x00000000h
0x14h	Port 4 Receive Packet Byte Count	RO	0x00000000h
0x15h	Port 5 Receive Packet Byte Count	RO	0x00000000h
0x16h	Port 0 Transmit Packet Count	RO	0x00000000h
0x17h	Reserved	RO	0x00000000h
0x18h	Port 1 Transmit Packet Count	RO	0x00000000h
0x19h	Reserved	RO	0x00000000h
0x1ah	Port 2 Transmit Packet Count	RO	0x00000000h
0x1bh	Reserved	RO	0x00000000h
0x1ch	Port 3 Transmit Packet Count	RO	0x00000000h
0x1dh	Port 4 Transmit Packet Count	RO	0x00000000h
0x1eh	Port 5 Transmit Packet Count	RO	0x00000000h
0x1fh	Port 0 Transmit Packet Byte Count	RO	0x00000000h
0x20h	Reserved	RO	0x00000000h
0x21h	Port 1 Transmit Packet Byte Count	RO	0x00000000h
0x22h	Reserved	RO	0x00000000h
0x23h	Port 2 Transmit Packet Byte Count	RO	0x00000000h
0x24h	Reserved	RO	0x00000000h
0x25h	Port 3 Transmit Packet Byte Count	RO	0x00000000h
0x26h	Port 4 Transmit Packet Byte Count	RO	0x00000000h
0x27h	Port 5 Transmit Packet Byte Count	RO	0x00000000h
0x28h	Port 0 Collision Count	RO	0x00000000h
0x29h	Reserved	RO	0x00000000h

Register	Bit 31- 0	MODE	Default
0x2ah	Port 1 Collision Count	RO	0x00000000h
0x2bh	Reserved	RO	0x00000000h
0x2ch	Port 2 Collision Count	RO	0x00000000h
0x2dh	Reserved	RO	0x00000000h
0x2eh	Port 3 Collision Count	RO	0x00000000h
0x2fh	Port 4 Collision Count	RO	0x00000000h
0x30h	Port 5 Collision Count	RO	0x00000000h
0x31h	Port 0 Error Count	RO	0x00000000h
0x32h	Reserved	RO	0x00000000h
0x33h	Port 1 Error Count	RO	0x00000000h
0x34h	Reserved	RO	0x00000000h
0x35h	Port 2 Error Count	RO	0x00000000h
0x36h	Reserved	RO	0x00000000h
0x37h	Port 3 Error Count	RO	0x00000000h
0x38h	Port 4 Error Count	RO	0x00000000h
0x39h	Port 5 Error Count	RO	0x00000000h
0x3ah	Over Flow Flag 0	LH/COR	0x00000000h
0x3bh	Over Flow Flag 1	LH/COR	0x00000000h
0x3ch	Over Flow Flag 2	LH/COR	0x00000000h

4.6 Serial Register Description

4.6.1 Chip Identifier Register, offset: 0x00h

Bits	Type	Description	Initial value
31:4	RO	0x0007101h	0x7101h
3:0	RO	0000 (Version number)	0x0h

4.6.2 Port Status 0 Register, offset: 0x01h

Bits	Type	Description	Initial value
31	RO	Port 4 Flow Control Enable 1: 802.3X on for full duplex or back pressure on for half duplex. 0: Flow Control Disable	0x0h
30	RO	Port 4 Duplex Status 1: Full Duplex. 0: Half Duplex.	0x0h
29	RO	Port 4 Speed Status: 1: 100Mb/s 0: 10 Mb/s	0x0h
28	RO	Port 4 Linkup Status: 1: Link is established. 0: Link is not established.	0x0h
27	RO	Port 3 Flow Control Enable	0x0h

Bits	Type	Description	Initial value
		1: 802.3X on for full duplex or back pressure on for half duplex. 0: Flow Control Disable	
26	RO	Port 3 Duplex Status 1: Full Duplex. 0: Half Duplex.	0x0h
25	RO	Port 3 Speed Status: 1: 100Mb/s 0: 10 Mb/s	0x0h
24	RO	Port 3 Linkup Status: 1: Link is established. 0: Link is not established.	0x0h
23	RO	Reserved	0x0h
22	RO	Reserved	0x0h
21	RO	Reserved	0x0h
20	RO	Reserved	0x0h
19	RO	Port 2 Flow Control Enable 1: 802.3X on for full duplex or back pressure on for half duplex. 0: Flow Control Disable	0x0h
18	RO	Port 2 Duplex Status 1: Full Duplex. 0: Half Duplex.	0x0h
17	RO	Port 2 Speed Status: 1: 100Mb/s 0: 10 Mb/s	0x0h
16	RO	Port 2 Linkup Status: 1: Link is established. 0: Link is not established.	0x0h
15	RO	Reserved	0x0h
14	RO	Reserved	0x0h
13	RO	Reserved	0x0h
12	RO	Reserved	0x0h
11	RO	Port 1 Flow Control Enable 1: 802.3X on for full duplex or back pressure on for half duplex. 0: Flow Control Disable	0x0h
10	RO	Port 1 Duplex Status 1: Full Duplex. 0: Half Duplex.	0x0h
9	RO	Port 1 Speed Status: 1: 100Mb/s 0: 10 Mb/s	0x0h
8	RO	Port 1 Linkup Status: 1: Link is established. 0: Link is not established.	0x0h
7	RO	Reserved	0x0h
6	RO	Reserved	0x0h

Bits	Type	Description	Initial value
5	RO	Reserved	0x0h
4	RO	Reserved	0x0h
3	RO	Port 0 Flow Control Enable 1: 802.3X on for full duplex or back pressure on for half duplex. 0: Flow Control Disable	0x0h
2	RO	Port 0 Duplex Status 1: Full Duplex. 0: Half Duplex.	0x0h
1	RO	Port 0 Speed Status: 1: 100Mb/s 0: 10 Mb/s	0x0h
0	RO	Port 0 Linkup Status: 1: Link is established. 0: Link is not established.	0x0h

4.6.3 Port Status 1 Register, offset: 0x02h

Bits	Type	Description	Initial value									
31:5	RO	Reserved	0x0h									
4	RO	Port 5 Flow Control Enable 1: 802.3X on for full duplex or back pressure on for half duplex. 0: Flow Control Disable	0x0h									
3	RO	Port 5 Duplex Status 1: Full Duplex. 0: Half Duplex.	0x0h									
2:1	RO	Port 5 Speed Status: Two bits indicate the operating speed. <table border="1" style="margin-left: 20px;"> <thead> <tr> <th>Bit[2]</th> <th>Bit[1]</th> <th>Speed</th> </tr> </thead> <tbody> <tr> <td>0</td> <td>1</td> <td>100Mb/s</td> </tr> <tr> <td>0</td> <td>0</td> <td>10Mb/s</td> </tr> </tbody> </table>	Bit[2]	Bit[1]	Speed	0	1	100Mb/s	0	0	10Mb/s	0x0h
Bit[2]	Bit[1]	Speed										
0	1	100Mb/s										
0	0	10Mb/s										
0	RO	Port 5 Linkup Status: 1: Link is established. 0: Link is not established.	0x0h									

4.6.4 Cable Broken Status Register, offset: 0x03h

Bits	Type	Description	Initial value
31:24	RO	Reserved	0x0h
23	RO	Port 4 Cable Broken	0x0h
22:21	RO	Port 4 Cable Broken Length	0x0h
20	RO	Port 3 Cable Broken	0x0h

Bits	Type	Description	Initial value
19:18	RO	Port 3 Cable Broken Length	0x0h
17	RO	Reserved	0x0h
16:15	RO	Reserved	0x0h
14	RO	Port 2 Cable Broken	0x0h
13:12	RO	Port 2 Cable Broken Length	0x0h
11	RO	Reserved	0x0h
10:9	RO	Reserved	0x0h
8	RO	Port 1 Cable Broken	0x0h
7:6	RO	Port 1 Cable Broken Length	0x0h
5	RO	Reserved	0x0h
4:3	RO	Reserved	0x0h
2	RO	Port 0 Cable Broken	0x0h
1:0	RO	Port 0 Cable Broken Length	0x0h

4.6.5 Over Flow Flag 0 Register, offset: 0x3ah

Bits	Type	Description	Initial value
31:18	RO	Reserved	0x0h
17	RO	Overflow of Port 5 Receive Packet Byte Count	0x0h
16	RO	Overflow of Port 4 Receive Packet Byte Count	0x0h
15	RO	Overflow of Port 3 Receive Packet Byte Count	0x0h
14	RO	Reserved	0x0h
13	RO	Overflow of Port 2 Receive Packet Byte Count	0x0h
12	RO	Reserved	0x0h
11	RO	Overflow of Port 1 Receive Packet Byte Count	0x0h
10	RO	Reserved	0x0h
9	RO	Overflow of Port 0 Receive Packet Byte Count	0x0h
8	RO	Overflow of Port 5 Receive Packet Count	0x0h
7	RO	Overflow of Port 4 Receive Packet Count	0x0h
6	RO	Overflow of Port 3 Receive Packet Count	0x0h
5	RO	Reserved	0x0h
4	RO	Overflow of Port 2 Receive Packet Count	0x0h
3	RO	Reserved	0x0h
2	RO	Overflow of Port 1 Receive Packet Count	0x0h
1	RO	Reserved	0x0h
0	RO	Overflow of Port 0 Receive Packet Count	0x0h

4.6.6 Over Flow Flag 0: Register 0x3bh

Bits	Type	Description	Initial value
31:18	RO	Reserved	0x0h
17	RO	Overflow of Port 5 Transmit Packet Byte Count	0x0h
16	RO	Overflow of Port 4 Transmit Packet Byte Count	0x0h

Bits	Type	Description	Initial value
15	RO	Overflow of Port 3 Transmit Packet Byte Count	0x0h
14	RO	Reserved	0x0h
13	RO	Overflow of Port 2 Transmit Packet Byte Count	0x0h
12	RO	Reserved	0x0h
11	RO	Overflow of Port 1 Transmit Packet Byte Count	0x0h
10	RO	Reserved	0x0h
9	RO	Overflow of Port 0 Transmit Packet Byte Count	0x0h
8	RO	Overflow of Port 5 Transmit Packet Count	0x0h
7	RO	Overflow of Port 4 Transmit Packet Count	0x0h
6	RO	Overflow of Port 3 Transmit Packet Count	0x0h
5	RO	Reserved	0x0h
4	RO	Overflow of Port 2 Transmit Packet Count	0x0h
3	RO	Reserved	0x0h
2	RO	Overflow of Port 1 Transmit Packet Count	0x0h
1	RO	Reserved	0x0h
0	RO	Overflow of Port 0 Transmit Packet Count	0x0h

4.6.7 Over Flow Flag 2 Register, offset: 0x3ch

Bits	Type	Description	Initial value
31:18	RO	Reserved	0x0h
17	RO	Overflow of Port 5 Error Count	0x0h
16	RO	Overflow of Port 4 Error Count	0x0h
15	RO	Overflow of Port 3 Error Count	0x0h
14	RO	Reserved	0x0h
13	RO	Overflow of Port 2 Error Count	0x0h
12	RO	Reserved	0x0h
11	RO	Overflow of Port 1 Error Count	0x0h
10	RO	Reserved	0x0h
9	RO	Overflow of Port 0 Error Count	0x0h
8	RO	Overflow of Port 5 Collision Count	0x0h
7	RO	Overflow of Port 4 Collision Count	0x0h
6	RO	Overflow of Port 3 Collision Count	0x0h
5	RO	Reserved	0x0h
4	RO	Overflow of Port 2 Collision Count	0x0h
3	RO	Reserved	0x0h
2	RO	Overflow of Port 1 Collision Count	0x0h
1	RO	Reserved	0x0h
0	RO	Overflow of Port 0 Collision Count	0x0h

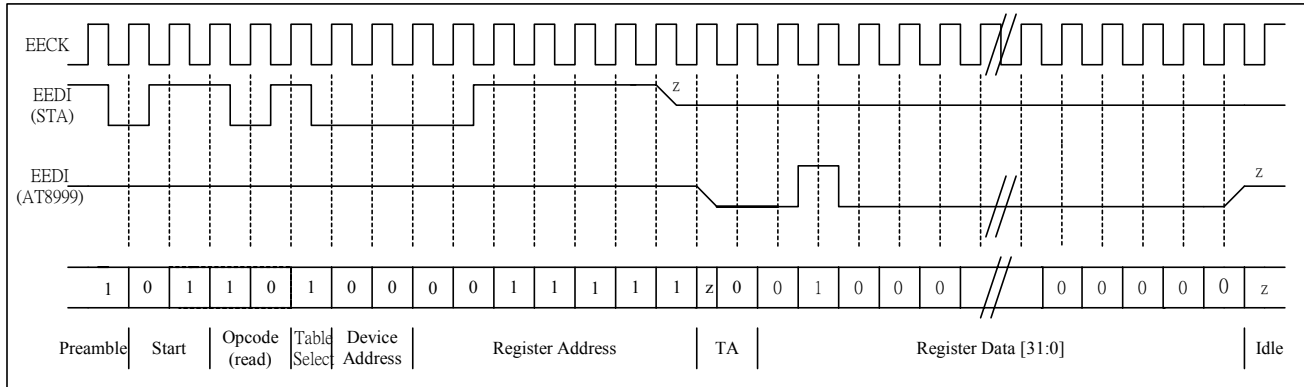
4.7 Serial Interface Timing

ADM6996F serial chip internal counter or EEPROM access timing.

EESK: Similar as MDC signal.

EDI: Similar as MDIO.

ECS: Must keep low.



Preamble: At least 32 continuous “1”.

Start: 01(2 bits)

Opcode: 10 (2 bits, Only supports read command)

Table select: 1/Counter, 0/ EEPROM (1 bit)

Register Address: Read Target register address. (7 bits)

TA: Turn Around.

Register Data: 32 bit data.

Counter output bit sequence is bit 31 to bit 0.

If user read EEPROM then 32 bits data will separate as two EEPROM registers. The sequence is:

Register +1, Register (Register is even number).

Register, Register-1(Register is Odd number).

Example: Read Register 00h then ADM6996F will drive 0x01h & 0x00h.

Read Register 03h then ADM6996F will drive 0x03h & 0x02h.

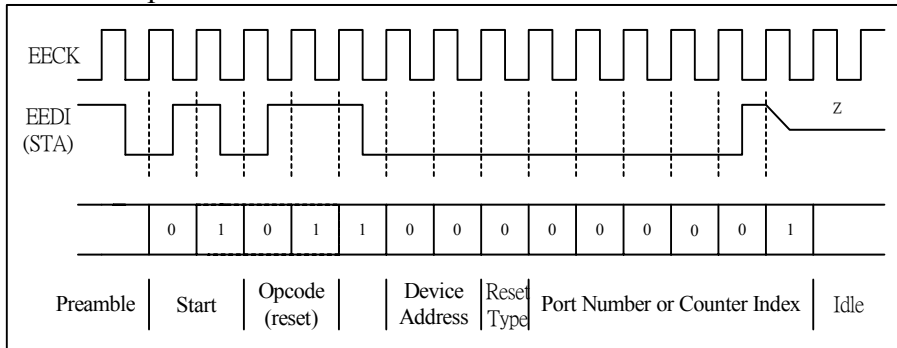
Idle: EESK must send at least one clock at idle time.

ADM6996F issue Reset internal counter command

EESK: Similar as MDC signal.

EDI: Similar as MDIO.

ECS: Must keep low.



Preamble: At least 32 continuous “1”.

Start: 01(2 bits)

Opcode: 01 (2 bits, Reset command)

Device Address: Chip physical address as PHYAS[1:0].

Reset_type: Reset counter by port number or by counter index.

1: Clear dedicate port’s all counters.

0: Clear dedicate counter.

Port_number or counter index: User define clear port or counter.

Idle: EECK must send at least one clock at idle time.

4.8 PHY Register Description

4.8.1 Control Register, offset: 0x00

Bits	Type	Name	Description	Initial value
15	R/W, SC	RST	RESET 1 – PHY Reset 0 – Normal operation Setting this bit initiates the software reset function that resets the selected port, except for the phase-locked loop circuit. It will re-latch in all hardware configuration pin values. The software reset process takes 25us to complete. This bit, which is self-clearing, returns a value of 1 until the reset process is complete.	0x0h
14	R/W	LPBK	Loop Back Enable 1 – Enable loopback mode 0 – Disable Loopback mode This bit controls the PHY loopback operation that isolates the network transmitter outputs (TXP and TXN) and routes the MII transmit data to the MII receive data path. This function should only be used when auto negotiation is disabled (bit12 = 0). The specific PHY (10Base-T or 100Base-X) used for this operation is determined by bits 12 and 13 of this register	0x0h
13	R/W	SPEED_LSB	Speed Selection LSB 0.6, 0.13 0 0 10 Mbits/s 0 1 100 Mbits/s 1 0 1000 Mbits/s 1 1 Reserved	0x1h

Bits	Type	Name	Description	Initial value
			Link speed is selected by this bit or by auto negotiation if bit 12 of this register is set (in which case, the value of this bit is ignored). If it is fiber mode, 0.13 is always 1. Any write to this bit will have no effect.	
12	R/W	ANEN	Auto Negotiation Enable 1 – Enable auto negotiation process 0 – Disable Auto negotiation process This bit determines whether the link speed should set up by the auto negotiation process or not. It is set at power up or reset if the PI_RECANEN pin detects a logic 1 input level in Twisted-Pair Mode. If it is set when fiber mode is configured, any write to this bit will be ignored.	0x1h
11	R/W	PDN	Power Down Enable 1 – Power Down 0 – Normal Operation Ored result with PI_PWRDN pin. Setting this bit high or asserting the PI_PWRDN puts the D7001 into power down mode. During the power down mode, TXP/TXN and all LED outputs are tri-stated and the MII interfaces are isolated.	0x0h
10	R/W	ISO	Isolate D7001 from Network 1 – Isolate PHY from MII 0 – Normal Operation Setting this control bit isolates the part from the MII, with the exception of the serial management interface. When this bit is asserted, the D7001 does not respond to TXD, TXEN and TXER inputs, and it presents a high impedance on its TXC, RXC, CRSDV, RXER, RXD, COL and CRS outputs.	0x0h
9	R/W, SC	ANEN_RST	Restart Auto Negotiation 1 – Restart Auto Negotiation Process 0 – Normal Operation Setting this bit while auto negotiation is enabled forces a new auto negotiation process to start. This bit is self-clearing and returns to 0 after the auto negotiation process has commenced.	0x0h
8	R/W	DPLX	Duplex Mode 1 – Full Duplex mode 0 – Half Duplex mode If auto negotiation is disabled, this bit determines the duplex mode for the link.	0x1h
7	R/W	COLTST	Collision Test 1 – Enable COL signal test 0 – Disable COL signal test When set, this bit will cause the COL signal of MII interface	0x0h

Bits	Type	Name	Description	Initial value
			to be asserted in response to the assertion of TXEN.	
6	RO	SPEED_MSB	Speed Selection MSB Set to 0 all the time indicate that the D7001 does not support 1000 Mbits/s function.	0x0h
5:0	RO	Reserved	Not Applicable	0x00h

4.8.2 Status Register, offset: 0x01

Bits	Type	Name	Description	Initial value
15	RO	CAP_T4	100Base-T4 Capable Set to 0 all the time to indicate that the D7001 does not support 100Base-T4	0x0h
14	RO	CAP_TXF	100Base-X Full Duplex Capable Set to 1 all the time to indicate that the D7001 does support Full Duplex mode	0x1h
13	RO	CAP_TXH	100Base-X Half Duplex Capable Set to 1 all the time to indicate that the D7001 does support Half Duplex mode	0x1h
12	RO	CAP_TF	10M Full Duplex Capable TP : Set to 1 all the time to indicate that the D7001 does support 10M Full Duplex mode FX : Set to 0 all the time to indicate that the D7001 does not support 10M Full Duplex mode	0x1h 0x0h
11	RO	CAP_TH	10M Half Duplex Capable TP : Set to 1 all the time to indicate that the D7001 does support 10M Half Duplex mode FX : Set to 0 all the time to indicate that the D7001 does not support 10M Half Duplex mode	0x1h 0x0h
10	RO	CAP_T2	100Base-T2 Capable Set to 0 all the time to indicate that the D7001 does not support 100Base-T2	0x0h
9:7	RO	Reserved	Not Applicable	0x0h
6	RO	CAP_SUPR	MF Preamble Suppression Capable This bit is hardwired to 1 indicating that the D7001 accepts management frame without preamble. Minimum 32 preamble bits are required following power-on or hardware reset. One idle bit is required between any two management transactions as per IEEE 802.3u specification.	0x1h
5	RO	AN_COMP	Auto Negotiation Complete 1 – Auto Negotiation process completed 0 – Auto Negotiation process not completed If auto negotiation is enabled, this bit indicates whether the auto negotiation process has been completed or not. Set to 0 all the time when Fiber Mode is selected.	0x0h

Bits	Type	Name	Description	Initial value
4	RO	REM_FLT	Remote Fault Detect 1 – Remote Fault detected 0 – Remote Fault not detected This bit is latched to 1 if the RF bit in the auto negotiation link partner ability register (bit 13, register address 05h) is set or the receive channel meets the far end fault indication function criteria. It is unlatched when this register is read.	0x0h
3	RO	CAP_ANEG	Auto Negotiation Ability 1 – Capable of auto negotiation 0 – Not capable of auto negotiation TP : This bit is set to 1 all the time, indicating that D7001 is capable of auto negotiation. FX : This bit is set to 0 all the time, indicating that D7001 is not capable of auto negotiation in Fiber Mode.	0x1h 0x0h
2	RO	LINK	Link Status 1 – Link is up 0 – Link is down This bit reflects the current state of the link –test-fail state machine. Loss of a valid link causes a 0 latched into this bit. It remains 0 until this register is read by the serial management interface. Whenever Linkup, this bit should be read twice to get link up status	0x0h
1	RO	JAB	Jabber Detect 1 – Jabber condition detected 0 – Jabber condition not detected	0x0h
0	RO	EXTREG	Extended Capability 1 – Extended register set 0 – No extended register set This bit defaults to 1, indicating that the D7001 implements extended registers.	0x0h

4.8.3 PHY Identifier Register, offset: 0x02

Bits	Type	Name	Description	Initial value
15:0	RO	PHY-ID[15:0]	IEEE Address	0x002Eh

4.8.4 PHY Identifier Register, offset: 0x03

Bits	Type	Name	Description	Initial value
15:10	RO	PHY-ID[15:0]	IEEE Address	0x33h
9:4	RO	PHY-	IEEE Model No.	0x01h

Bits	Type	Name	Description	Initial value
		ID[15:0]		
3:0	RO	PHY-ID[15:0]	IEEE Revision No.	0x01h

Note: Register 3 = 0xCC10

4.8.5 Auto Negotiation Advertisement Register, offset : 0x04

Bits	Type	Name	Description	Initial value
15	RO	NP	Next Page This bit is defaults to 1, indicating that D7001 is next page capable.	0x0h
14	R/W	Reserved	Not Applicable	0x0h
13	RO	RF	Remote Fault 1 – Remote Fault has been detected 0 – No remote fault has been detected This bit is written by serial management interface for the purpose of communicating the remote fault condition to the auto negotiation link partner.	0x0h
12	RO	Reserved	Not Applicable	0x0h
11	R/W	ASM_DIR	Asymmetric Pause Direction. Bit[11:10] Capability 00 No Pause 01 Symmetric PAUSE 10 Asymmetric PAUSE toward Link Partner 11 Both Symmetric PAUSE and Asymmetric PAUSE toward local device	0x0h
10	R/W	PAUSE	Pause Operation for Full Duplex Value on PAUREC will be stored in this bit during power on reset.	0x1h
9	RO	T4	Technology Ability for 100Base-T4 Defaults to 0.	0x0h
8	R/W	TX_FDX	100Base-TX Full Duplex 1 – Capable of 100M Full duplex operation 0 – Not capable of 100M Full duplex operation	0x1h
7	R/W	TX_HDX	100Base-TX Half Duplex 1 – Capable of 100M operation 0 – Not capable of 100M operation	0x1h
6	R/W	10_FDX	10BASE-T Full Duplex 1 – Capable of 10M Full Duplex operation 0 – Not capable of 10M full duplex operation	0x1h
5	R/W	10_HDX	10Base-T Half Duplex 1 – Capable of 10M operation 0 – Not capable of 10M operation Note that bit 8:5 should be combined with REC100, RECFUL pin input to determine the finalized speed and	0x1h

Bits	Type	Name	Description	Initial value
			duplex mode.	
4:0	RO	Selector Field	These 5 bits are hardwired to 00001b, indicating that the D7001 supports IEEE 802.3 CSMA/CD.	0x1h

4.8.6 Auto Negotiation Link Partner Ability Register, offset: 0x05

Bits	Type	Name	Description	Initial value
15	RO	NPAGE	Next Page 1 – Capable of next page function 0 – Not capable of next page function	0x0h
14	RO	ACK	Acknowledge 1 – Link Partner acknowledges reception of the ability data word 0 – Not acknowledged	0x0h
13	RO	RF	Remote Fault 1 – Remote Fault has been detected 0 – No remote fault has been detected	0x0h
12	RO	Reserved	Not Applicable	0x0h
11	RO	LP_DIR	Link Partner Asymmetric Pause Direction.	0x0h
10	RO	LP_PAU	Link Partner Pause Capability Value on PAUREC will be stored in this bit during power on reset.	0x0h
9	RO	LP_T4	Link Partner Technology Ability for 100Base-T4 Defaults to 0.	0x0h
8	RO	LP_FDX	100Base-TX Full Duplex 1 – Capable of 100M Full duplex operation 0 – Not capable of 100M Full duplex operation	0x0h
7	RO	LP_HDX	100Base-TX Half Duplex 1 – Capable of 100M operation 0 – Not capable of 100M operation	0x0h
6	RO	LP_F10	10BASE-T Full Duplex 1 – Capable of 10M Full Duplex operation 0 – Not capable of 10M full duplex operation	0x0h
5	RO	LP_H10	10Base-T Half Duplex 1 – Capable of 10M operation 0 – Not capable of 10M operation	0x0h
4:0	RO	Selector Field	Encoding Definitions.	0x01h

4.8.7 Auto Negotiation Expansion Register, offset: 0x06

Bits	Type	Name	Description	Initial value
15:5	RO	Reserved	Not Applicable	0x000h
4	RO, LH	PFAULT	Parallel Detection Fault 1 – Fault has been detected	0x0h

Bits	Type	Name	Description	Initial value
			0 – No Fault Detect	
3	RO	LPNPABLE	Link Partner Next Page Able 1 – Link Partner is next page capable 0 – Link Partner is not next page capable	0x0h
2	RO	NPABLE	Next Page Able Defaults to 1, indicating D7001 is next page able.	0x1h
1	RO	PGRCV	Page Received 1 – A new page has been received 0 – No new page has been received	0x0h
0	RO	LPANABLE	Link Partner Auto Negotiation Able 1 – Link Partner is auto negotiable 0 – Link Partner is not auto negotiable	0x0h

4.8.8 Next Page Transmit Register, offset: 0x07

Bits	Type	Name	Description	Initial value
15	RO	TNPAGE	Transmit Next Page Transmit Code Word Bit 15	0x0h
14	RO	Reserved	Reserved Transmit Code Word Bit 14	0x0h
13	R/W	TMSG	Transmit Message Page Transmit Code Word Bit 13	0x1h
12	R/W	TACK2	Transmit Acknowledge 2 Transmit Code Word Bit 12	0x0h
11	RO	TTOG	Transmit Toggle Transmit Code Word Bit 11	0x0h
10:0	R/W	TFLD[10:0]	Transmit Message Field Transmit Code Word Bit 10..0	0x001h

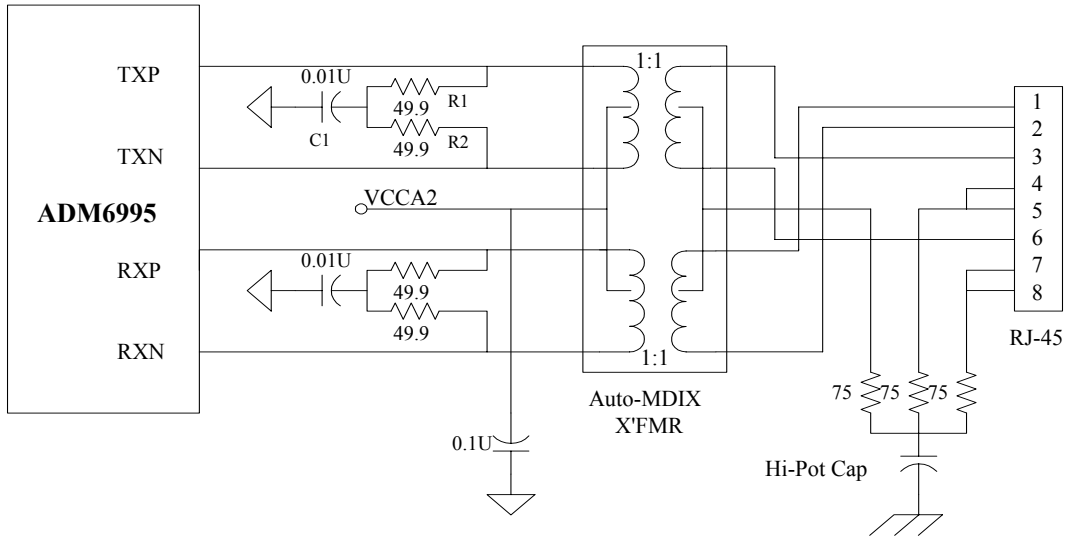
4.8.9 Link Partner Next Page Register, offset: 0x08

Bits	Type	Name	Description	Initial value
15	RO	PNPAGE	Link Partner Next Page Receive Code Word Bit 15	0x0h
14	RO	PACK	Link Partner Acknowledge Receive Code Word Bit 14	0x0h
13	RO	PMSGP	Link Partner Message Page Receive Code Word Bit 13	0x0h
12	RO	PACK2	Link Partner Acknowledge 2 Receive Code Word Bit 12	0x0h
11	RO	PTOG	Link Partner Toggle Receive Code Word Bit 11	0x0h
10:0	RO	PFLD[10:0]	Link Partner Message Field Receive Code Word Bit 11	0x001h

Chapter 5 Electrical Specification

5.1 TX/FX Interface

5.1.1 TP Interface

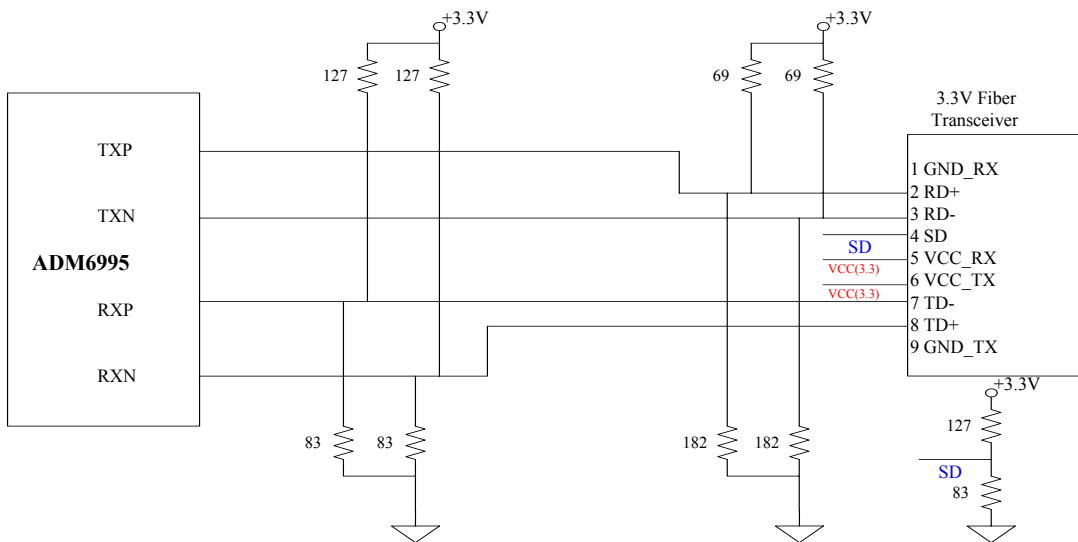


Transformer requirement:

- . TX/RX rate 1:1
- . TX/RX central tap connect together to VCCA2.

User can change TX/RX pin for easy layout but do not change polarity. ADM6996F supports auto polarity on receiving side.

5.1.2 FX Interface



5.2 DC Characteristics

5.2.1 Absolute Maximum Rating

Symbol	Parameter	Rating	Units
V _{CC}	Power Supply	-0.3 to 3.63	V
V _{cca2}	TX line driver	1.8	V
V _{ccpll}	PLL voltage	1.8	V
V _{ccik}	Digital core voltage	1.8	V
V _{IN}	Input Voltage	-0.3 to V _{CC} + 0.3	V
V _{out}	Output Voltage	-0.3 to V _{cc} + 0.3	V
TSTG	Storage Temperature	-55 to 155	°C
PD	Power Dissipation	1.3W	W
ESD	ESD Rating	2KV	V

5.2.2 Recommended Operating Conditions

Symbol	Parameter		Typical	Max	Units
V _{cc}	Power Supply	2.8	3.3	3.465	V
V _{cca2}	TX line driver	1.7	1.8	1.9	V
V _{ccpll}	PLL voltage	1.7	1.8	1.9	V
V _{ccik}	Digital core voltage	1.7	1.8	1.9	V
V _{in}	Input Voltage	0	-	V _{cc}	V
PC	Power consumption		1.3		W
T _j	Junction Operating Temperature	0	25	115	°C

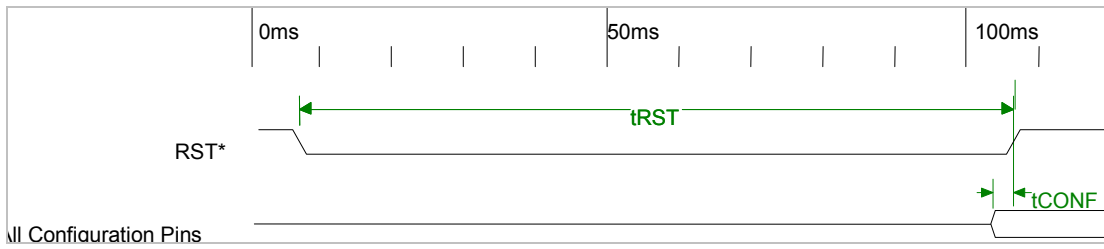
5.2.3 DC Electrical Characteristics for 3.3V Operation

Under V_{cc}=3.0V~3.6V, T_j= 0 °C ~ 115 °C)

Symbol	Parameter	Conditions	Min	Typical	Max	Units
V _{IL}	Input Low Voltage	CMOS			0.3 * V _{cc}	V
V _{IH}	Input High Voltage	CMOS	0.7 * V _{cc}			V
V _{OL}	Output Low Voltage	CMOS			0.4	V
V _{OH}	Output High Voltage	CMOS	0.7 * V _{cc}			V
RI	Input Pull_up/down Resistance	V _{IL} =0V or V _{IH} = V _{cc}		100		KΩ

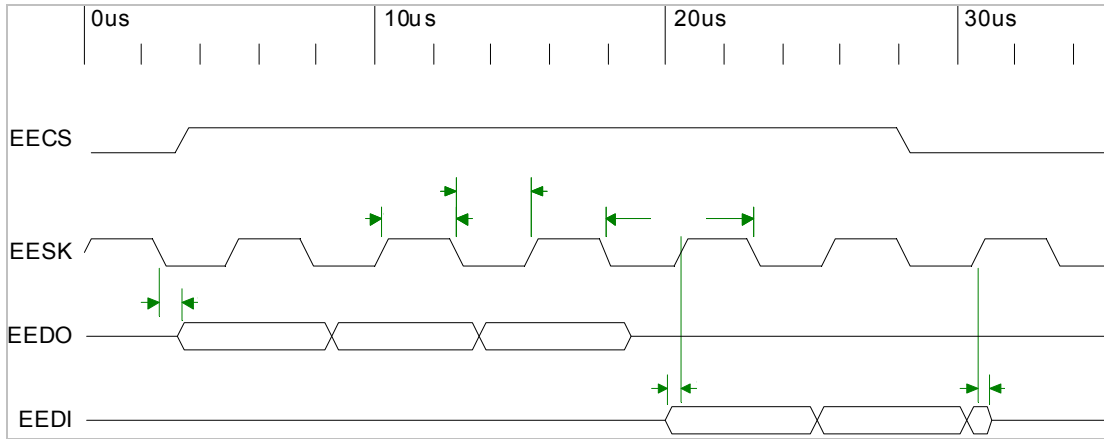
5.3 AC Characteristics

5.3.1 Power On Reset



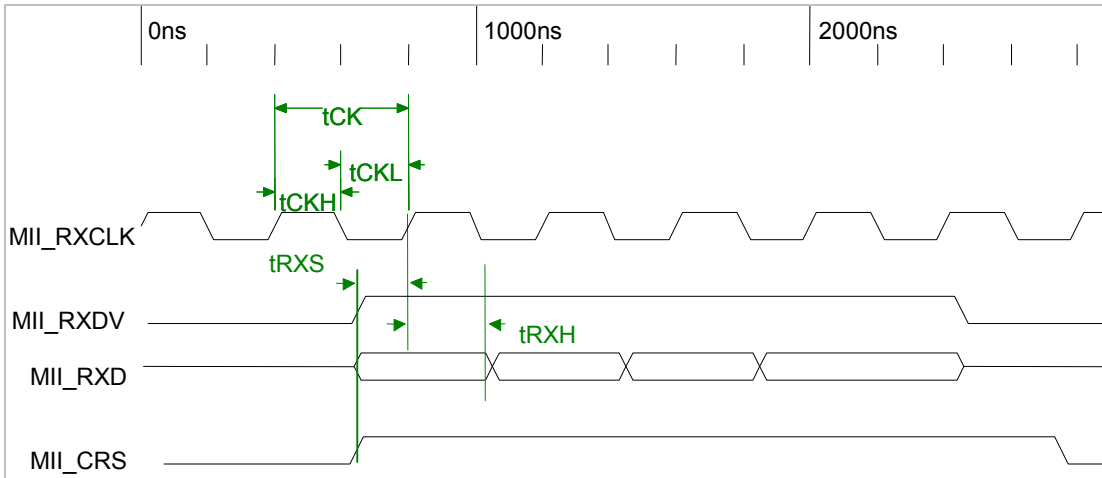
Symbol	Parameter	Conditions	Min	Typical	Max	Units
TRST	RST Low Period		100			ms
TCONF	Start of Idle Pulse Width		100			ns

5.3.2 EEPROM Interface Timing



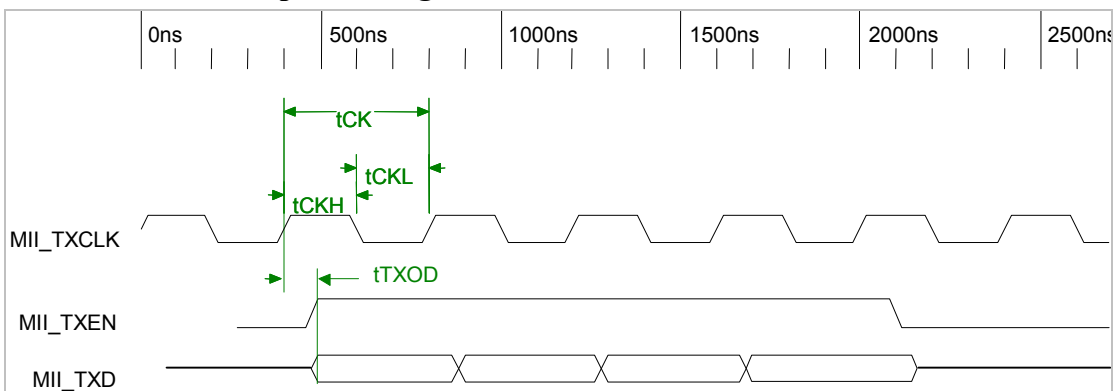
Symbol	Parameter	Conditions	Min	Typical	Max	Units
TESK	EESK Period			5120		ns
TESKL	EESK Low Period		2550		2570	ns
TESKH	EESK High Period		2550		2570	ns
TERDS	EEDI to EESK Rising Setup Time		10			ns
TERDH	EEDI to EESK Rising Hold Time		10			ns
TEWDD	EESK Falling to EEDO Output Delay Time				20	ns

5.3.3 10Base-TX MII Input Timing



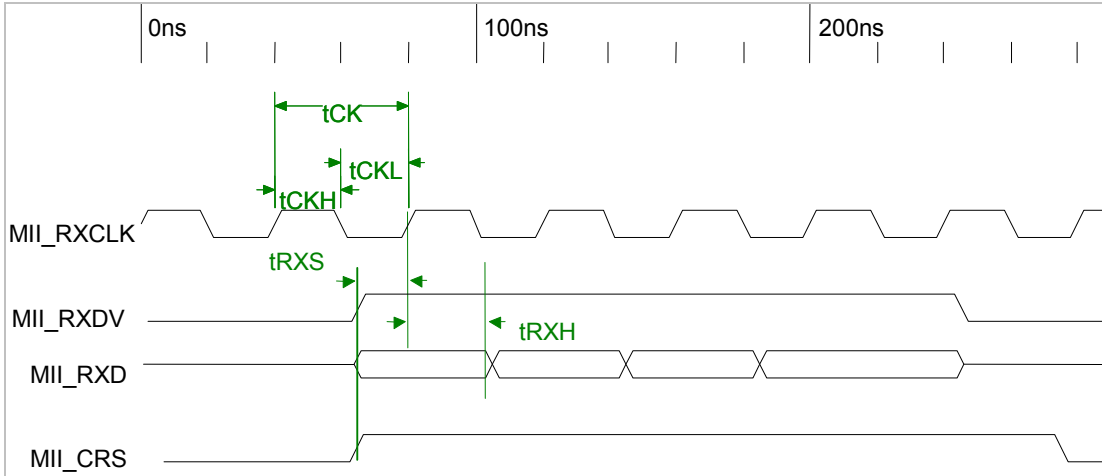
Symbol	Parameter	Conditions	Min	Typical	Max	Units
tCK	MII_RXCLK Period			400		ns
tCKL	MII_RXCLK Low Period		180		220	ns
tCKH	MII_RXCLK High Period		180		220	ns
tRXS	MII_CRS, MII_RXDV and MII_RXD to MII_RXCLK rising setup		10			ns
tRXH	MII_CRS, MII_RXDV and MII_RXD to MII_RXCLK rising hold		10			ns

5.3.4 10Base-TX MII Output Timing



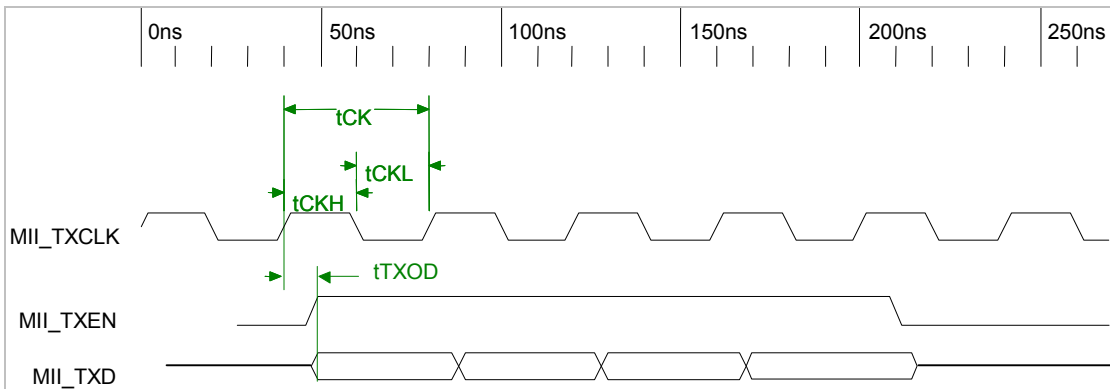
Symbol	Parameter	Conditions	Min	Typical	Max	Units
tCK	MII_TXCLK Period			400		ns
tCKL	MII_TXCLK Low Period		180		220	ns
tCKH	MII_TXCLK High Period		180		220	ns
tTXOD	MII_TXD, MII_TXEN to MII_TXCLK Rising Output Delay		0		25	ns

5.3.5 100Base-TX MII Input Timing



Symbol	Parameter	Conditions	Min	Typical	Max	Units
tCK	MII_RXCLK Period			40		ns
tCKL	MII_RXCLK Low Period		18		22	ns
tCKH	MII_RXCLK High Period		18		22	ns
tRXS	MII_CRS, MII_RXDV and MII_RXD to MII_RXCLK rising setup		10			ns
tRXH	MII_CRS, MII_RXDV and MII_RXD to MII_RXCLK rising hold		10			ns

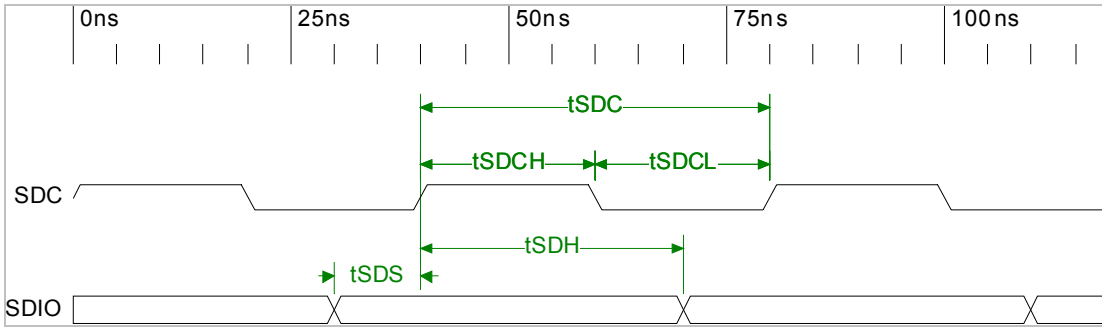
5.3.6 100Base-TX MII Output Timing



Symbol	Parameter	Conditions	Min	Typical	Max	Units
tCK	MII_TXCLK Period			40		ns
tCKL	MII_TXCLK Low Period		18		22	ns

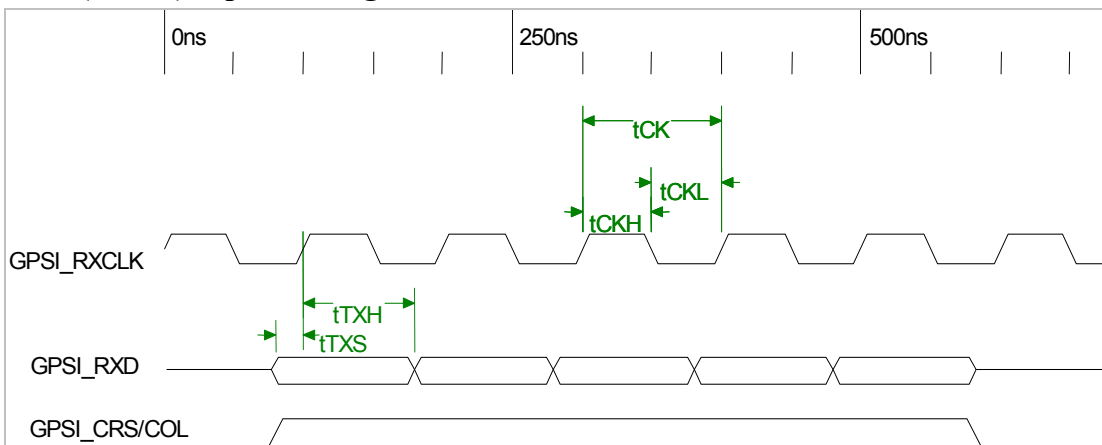
Symbol	Parameter	Conditions	Min	Typical	Max	Units
tCKH	MII_TXCLK High Period		18		22	ns
tTXOD	MII_TXD, MII_TXEN to MII_TXCLK Rising Output Delay		0		25	ns

5.3.7 SMI Timing



Symbol	Parameter	Conditions	Min	Typical	Max	Units
TCK	SDC Period		20			ns
TCKL	SDC Low Period		10			ns
TCKH	SDC High Period		10			ns
TSDS	SDIO to SDC rising setup time on read/write cycle		4			ns
TSDH	SDIO to SDC rising hold time on read/write cycle		2			ns

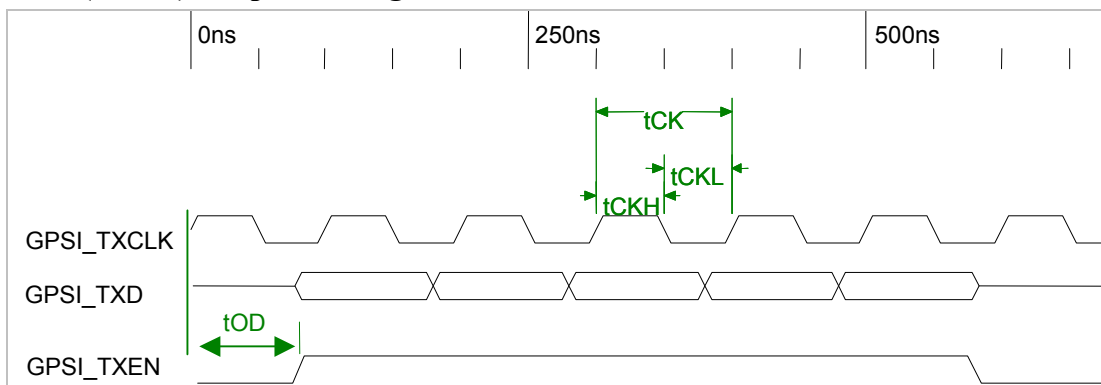
5.3.8 GPSI(7-wire) Input Timing



Symbol	Parameter	Conditions	Min	Typical	Max	Units
TCK	GPSI_RXCLK Period			100		ns
TCKL	GPSI_RXCLK Low Period		40		60	ns

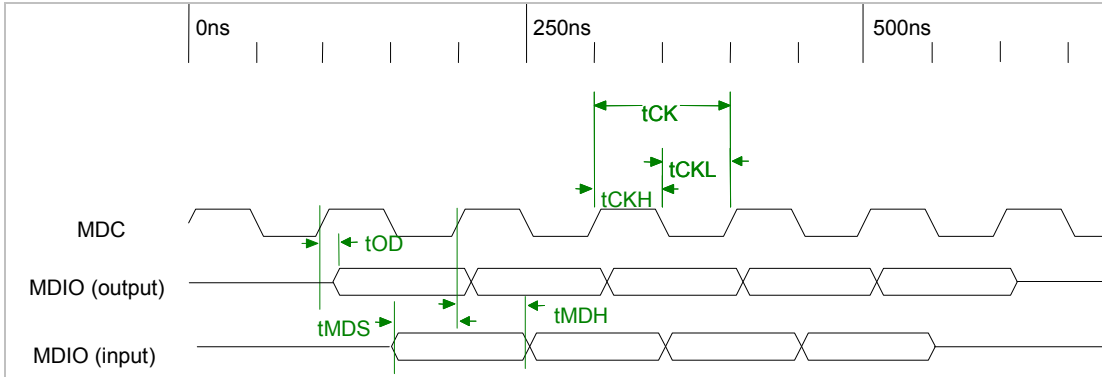
Symbol	Parameter	Conditions	Min	Typical	Max	Units
TCKH	GPSI_RXCLK High Period		40		60	ns
TTXS	GPSI_RXD, GPSI_CRG/COL to GPSI_RXCLK Rising Setup Time		10			ns
TTXH	GPSI_RXD, GPSI_CRG/COL to GPSI_RXCLK Rising Hold Time		10			ns

5.3.9 GPSI(7-wire) Output Timing



Symbol	Parameter	Conditions	Min	Typical	Max	Units
TCK	GPSI_TXCLK Period			100		ns
TCKL	GPSI_TXCLK Low Period		40		60	ns
TCKH	GPSI_TXCLK High Period		40		60	ns
TOD	GPSI_TXCLK Rising to GPSI_TXEN/GPSI_TXD Output Delay		50		70	ns

5.3.10 Serial Management Interface (MDC/MDIO) Timing



Symbol	Parameter	Conditions	Min	Typical	Max	Units
T _{CK}	MDC Period			100		ns
T _{CKL}	MDC Low Period		40		60	ns
T _{CKH}	MDC High Period		40		60	ns
t _{OD}	MDC to MDIO Delay Time				20	ns
t _{MDS}	MDIO Input to MDC Setup Time		10			ns
t _{MDH}	MDIO Input to MDC Hold Time		10			ns

Chapter 6 Packaging

6.1 128 Pin PQFP Outside Dimension

