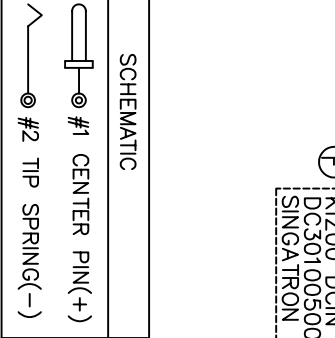
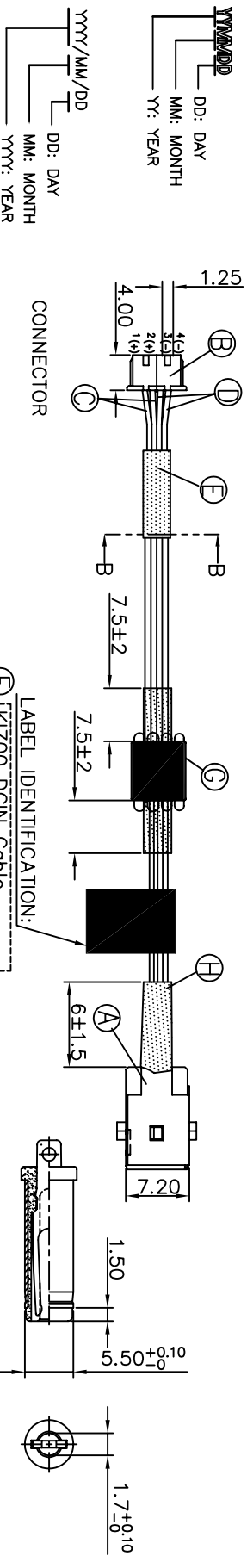
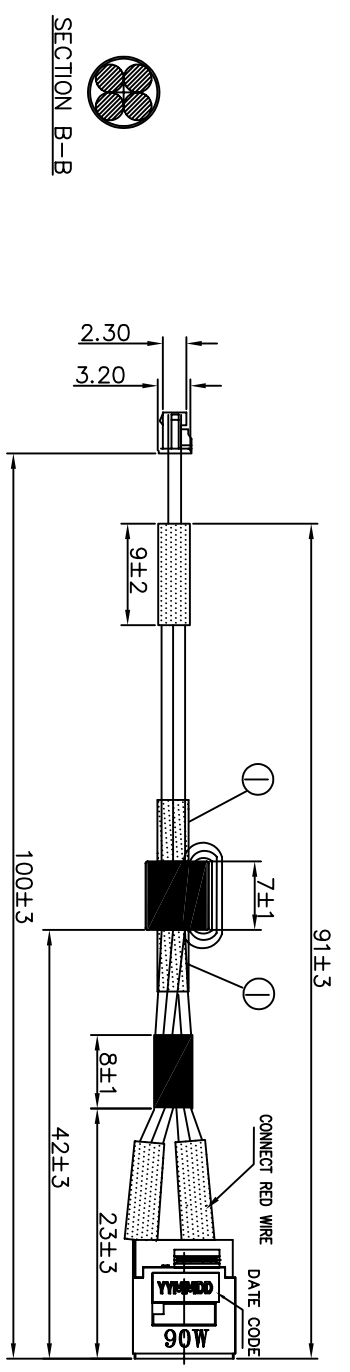


REV.	ECN NO OR DESCRIPTION	REVISED	DATE
A	PDR NO.1080305-3B	Sky	2008.08.12
B	ECN NO.S080823	QIANG	2008.09.03
C	ECN NO.1080204	Lii	2008.12.10



WIRE DIAGRAM			
CONNECTOR(A)	WIRE COLOR	CONNECTOR(B)	
CENTER PIN(+)	RED	POS.(1,2)	
SPRING(-)	BLACK	POS.(3,4)	

SPECIFICATIONS:

- 1.RATING: DC 20V 7A
- 2.INSERTION FORCE: 3.0kgf Max. WITHDRAWAL FORCE: 1.0kg~3.0kg
- 3.INSULATION RESISTANCE BETWEEN ANY ADJACENT TERMINALS SHALL NOT BE LESS THAN 100 MEGOHMS BY 500 VOLTS MEGGER.
- 4.JACK SHALL WITHSTAND 500 VOLTS BETWEEN ANY ADJACENT TERMINAL FOR ONE MINUTE.
- 5.CONTACT RESISTANCE SHALL NOT EXCEED 30mΩ (DC JACK ONLY, NOT INCLUDE CABLE)
- 6.JACK SHALL WITHSTAND 5,000 CYCLES OF INSERTION AND WITHDRAWAL WITH TESTING PLUG, AND CONTACT RESISTANCE SHALL NOT EXCEED 50mΩ
- 7.MEASURING CONDITION:
TEMPERATURE:FROM 5°C TO 35°C.
RELATIVE HUMIDITY: FROM 40% TO 85%.
- 8.TO CONFORM TO SINGATRON HAZARDOUS SUBSTANCE FREE SPEC.
- 9.WIRE MUST BE HALOGEN FREE.
- 10.PRINTED DATE CODE"YYYYMMDD" ON TOP OF CONNECTOR.
- 11.PRINTED DATE CODE"YYYY/MM/DD" ON LABEL.
- 12.HALOGEN FREE PRODUCT IDENTIFICATION MARK ON PRODUCT:
- 13.HALOGEN FREE PRODUCT IDENTIFICATION LOGO ON PACKING:

NO	DESCRIPTION	QTY	MATERIAL	PLATING & COLOR
1	HEAT SHRINK TUBE	2	POLYOLEFIN Ø3.0	BLACK
2	HEAT SHRINK TUBE	2	POLYOLEFIN Ø3.0*7	BLACK
3	EMI CORE	1	L7.5*W:5.3H:8	BLACK
4	HEAT SHRINK TUBE	1	L28*W7	WHITE
5	HEAT SHRINK TUBE	1	POLYOLEFIN Ø3.0*9	BLACK
6	WIRE	2	UL3302 28AWG	BLACK
7	WIRE	2	UL3302 28AWG	RED
8	CONNECTOR	4	TER:PHOSPHOR BRONZE TIN PLATING	
9	CONNECTOR	1	HSG:INION UL94V-0	WHITE
10	DC POWER JACK	1	TO SEE SINGATRON P/N:"2DC-G756-039"	

DECIMALS:	ANGLES:
X :±0.5	X :±2°
X.X :±0.3	X.X :±1'
X.XX :±0.2	

TITLE	DC POWER JACK WITH CABLE
DWN	LIF 2008.12.10
CHKD	LASSER 2008.12.10
APVD	MAN 2008.12.10

SIZE:	SHEET:
A3	1 OF 1

CUSTOMER COPY