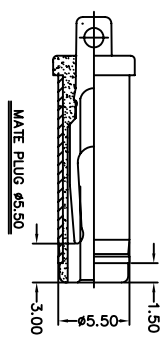
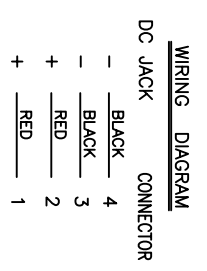
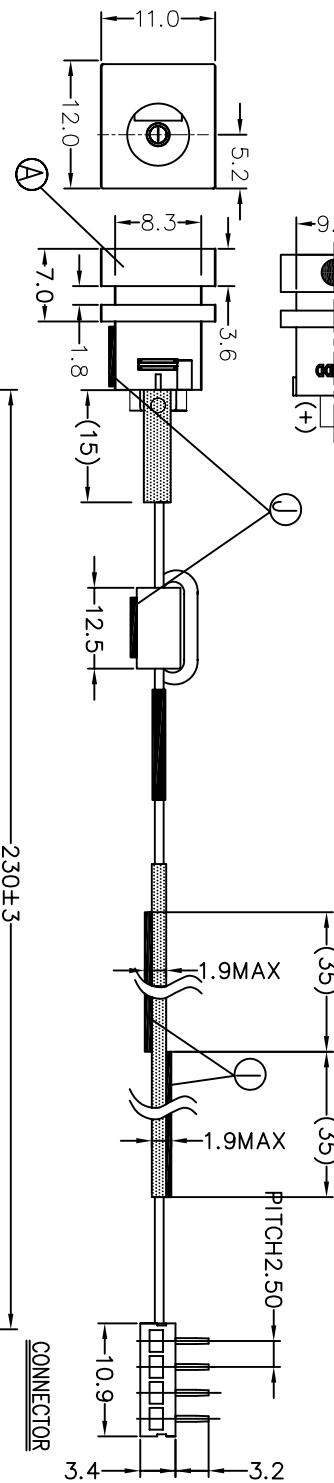
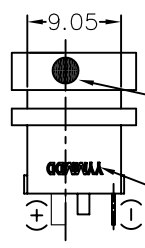
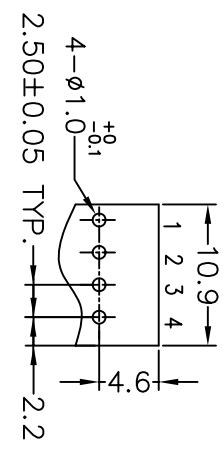


白色圓點放呆標試(φ2)

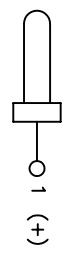
DATE CODE:  
DD: DAY  
MM: MONTH  
YY: YEAR



DC JACK IDENTIFICATION:  
IF190 DC CABLE  
DC301001V00 REV:1  
SINGATRON YYY/MM/DD



PCB LAYOUT



- SPECIFICATIONS:
- 1.RATING: DC 20V 7A
  - 2.INSERTION FORCE: 3.0Kgf Max.
  - 3.INSULATION RESISTANCE BETWEEN ANY ADJACENT TERMINALS SHALL NOT BE LESS THAN 100 MEGOHMS BY 500 VOLTS MEGGER.
  - 4.JACK SHALL WITHSTAND 500 VOLTS BETWEEN ANY ADJACENT TERMINAL FOR ONE MINUTE.
  - 5.CONTACT RESISTANCE SHALL NOT EXCEED 15mΩ (DC JACK ONLY, NOT INCLUDE CABLE)
  - 6.JACK SHALL WITHSTAND 5,000 CYCLES OF INSERTION AND WITHDRAWAL WITH TESTING PLUG, AND CONTACT RESISTANCE SHALL NOT EXCEED 15mΩ
  - 7.MEASURING CONDITION:  
TEMPERATURE:FROM 5°C TO 35°C.  
RELATIVE HUMIDITY: FROM 40% TO 85%.
  - 8.PRINTED DATE CODE"YMMDD" ON TOP OF CONNECTOR.
  - 9.TO CONFORM TO THE "SE-01-001" & "ROHS DIRECTIVE"
  - 10.GREEN PRODUCT IDENTIFICATION MARK IN JACK: ♣
  - 11.GREEN PRODUCT IDENTIFICATION LABEL IN PACKING: G.P. PASS
  - 12.FOR LEAD-FREE PRODUCT.

REV.	ECN NO.	OR DESCRIPTION	REVISED	DATE
A	PDR No.20061018-2	Bill	2007.03.09	
B	ECN No.:S070315	Cruise	07/3/30	

J	ADHESIVE WITH DOUBLE SIZE	2	L:6.8*W:5.8	WHITE COLOR
I	ADHESIVE WITH DOUBLE SIZE	2	L:3.5*W:5	WHITE COLOR
H	EMI CORE	1	SOFT FERRITE L1.35*W12.5*H7.8-4.0	BLACK COLOR
G	LABEL	1	PET L:20* W:20	WHITE COLOR
F	HEAT SHRINK TUBE	2	POLYOLEFINφ3.5	BLACK COLOR
E	HEAT SHRINK TUBE	1	POLYOLEFINφ4.0	BLACK COLOR
D	WIRE	2	UL1007 24AWG	RED COLOR
C	WIRE	2	UL1007 24AWG	BLACK COLOR
B	CONNECTOR	4	TER: COPPER ALLOY	PLATING TIN
A	DC POWER JACK	1	HSG: Nylon UL94V-0	WHITE COLOR
		1	SEE SINGATRON P/N: 2DC-0268-B03	
	UNLESS OTHERWISE SPECIFIED TOLERANCES			
	DECIMALS:	ANGLES:		
	X :±0.5	X :±2		
	X.X :±0.3	X.X :±1'		
	X.XX :±0.2			
	TITLE DC POWER JACK WITH CABLE			
	DWV Cruise 2007.03.09			
	CHKD Bill 07/27/30			
	APVD David 07/27/30			
	SCALE: UNIT: mm			
	SIZE: A3 SHEET: 1 OF 1 REV: B			
	CUSTOMER COPY(SZ)			



Singatron Enterprise Co., Ltd.  
信譽企業股份有限公司