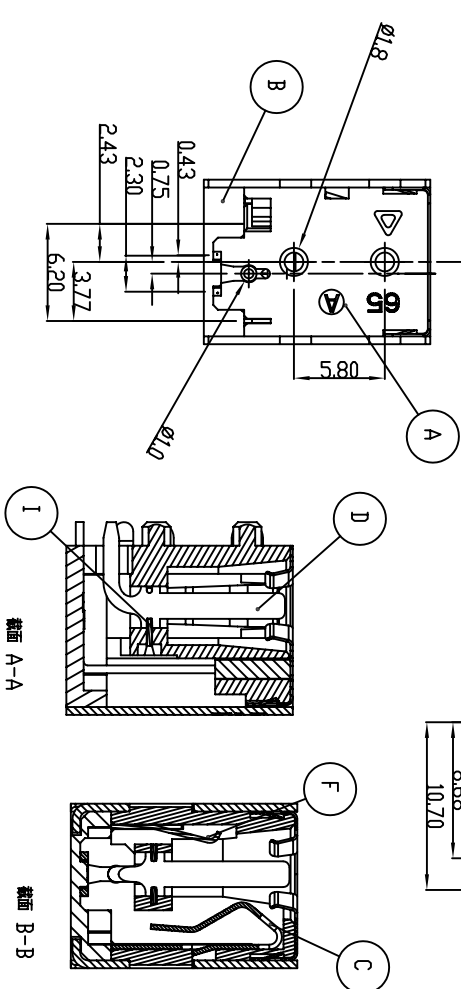
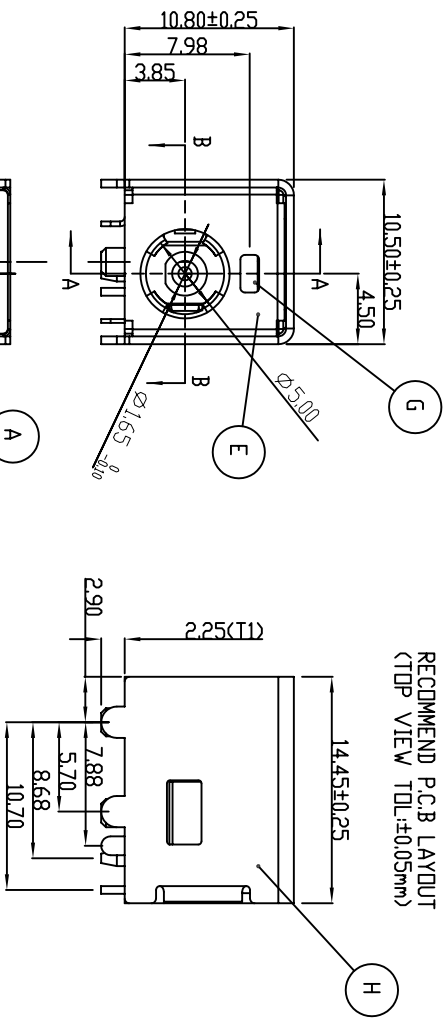
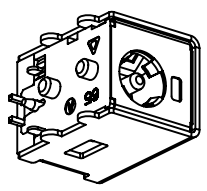


RECOMMEND PCB LAYOUT
(TOP VIEW TOL:±0.05mm)

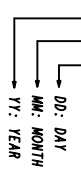


REV/ECN NO	DR DESCRIPTION	REVISED	DATE
C	ECN NO. 1070044	JASON	20070402
D	ECN NO. 1070107	DA	20070412

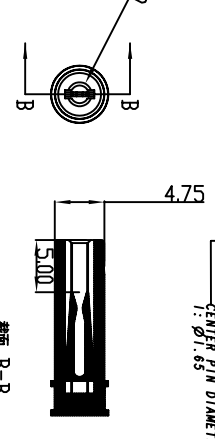
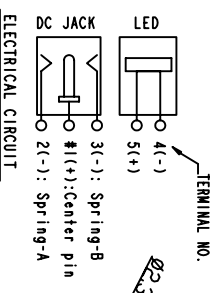
- SPECIFICATIONS:
- RATING: DC 20V 6A
 - INSERTION FORCE: 0.9KG-2.5KG
 - WITHDRAWAL FORCE: 0.9KG-2.5KG
 - INSULATION RESISTANCE BETWEEN ANY ADJACENT TERMINALS SHALL NOT BE LESS THAN 100 MEGOHMS BY 500 VOLTS WETGER.
 - JACK SHALL WITHSTAND 250 VOLTS BETWEEN ANY ADJACENT TERMINALS FOR ONE MINUTE.
 - CONTACT RESISTANCE SHALL NOT EXCEED 0.03 OHMS.
 - CONTACT SHALL WITHSTAND 5000 CYCLES OF INSERTION AND WITHDRAWAL WITH TESTING PLUG AND CONTACT RESISTANCE SHALL NOT EXCEED 0.1 OHMS.
 - MEASURING CONDITION:
TEMPERATURE: FROM 5°C TO 35°C.
RELATIVE HUMIDITY: FROM 40% TO 85%.
 - ENVIRONMENTAL SPECIFICATIONS:
6.1 HUMIDITY TEST: HUMIDITY 90% TO 95% TEMPERATURE 40°C ± 2°C FOR 96 HOURS.
6.2 HEAT TEST: TEMPERATURE 70°C ± 2°C (HUMIDITY BELOW 2°C FOR 96 HOURS).
6.3 COLD TEST: TEMPERATURE -40°C ± 2°C FOR 96 HOURS.
 - PACKING:
10. PRINTED DATE CODE "YMMDD" ON TOP OF CONNECTOR.



?? 21



- CONFORM TO "SE-01-001" AND "ROHS DIRECTIVE".
- GREEN PRODUCT IDENTIFICATION LABEL IN PACKING: [GP PASS]
- FOR LEAD FREE PRODUCT.
- SOLDER HEAT RESISTANCE: 240° 10 SECS.



NO	DESCRIPTION	QTY	MATERIAL	PLATING & COLOR
I	TERMINAL	1	SUS 0.3T	N/A
H	SHELL	1	C2680-H 0.5T	NICKEL PLATING
G	LED	1	InGaN	BLUE COLOR
F	SPRING-B	1	PBS 0.25T	Gold flash, Nickel plating all over.
E	GROUND	1	SUS 0.15T	N/A
D	PIN	1	BRASS BAR 1.65Ø	Gold flash, Nickel plating all over.
C	SPRING-A	1	PBS 0.3T	Gold flash, Nickel plating all over.
B	COVER	1	PA9T+30% GF	BLACK COLOR
A	BODY	1	PA9T+30% GF	BLACK COLOR
ND	DESCRIPTION		MATERIAL	PLATING & COLOR

UNLESS OTHERWISE SPECIFIED TOLERANCES

DECIMALS: ANGLES: X ±0.5 X ±2° X.X ±0.3 X.X ±1° X.XX ±0.2

Singatron Enterprise Co., Ltd.
信音企業股份有限公司

DA 20070412 PART NO. 2DC1000-012111
PDC20070412 SCALE:2:1 UNIT: mm
ANGRA 2007/4/13 SIZE: A3 SHEET: 1 OF 1 REV: D

CUSTOMER COPY