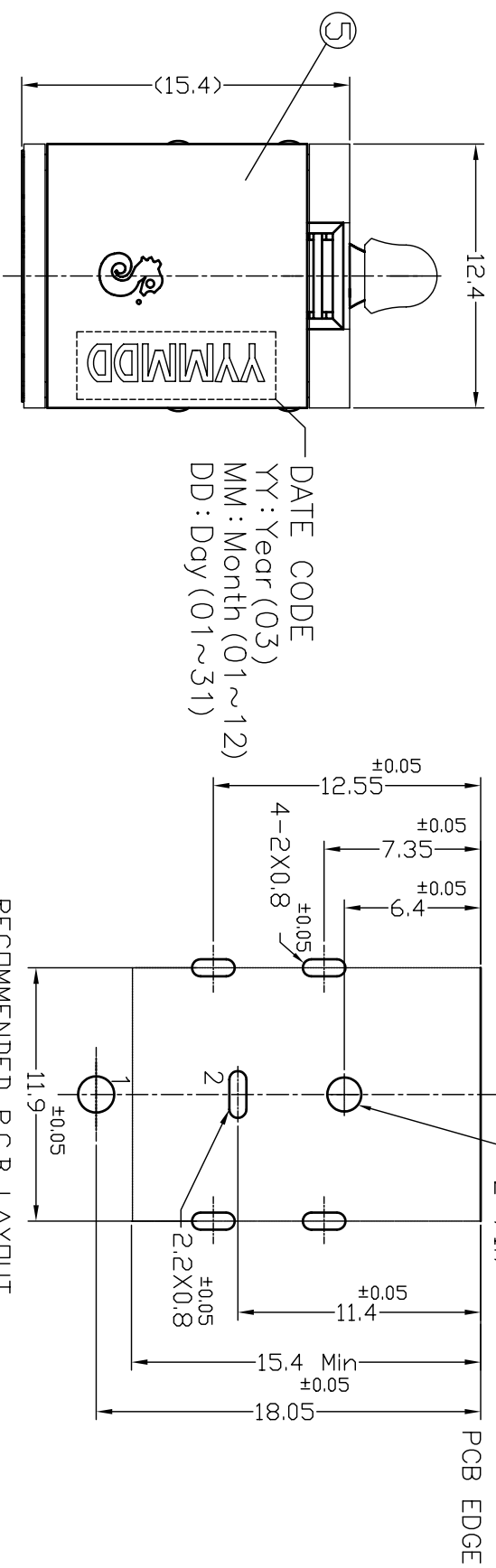
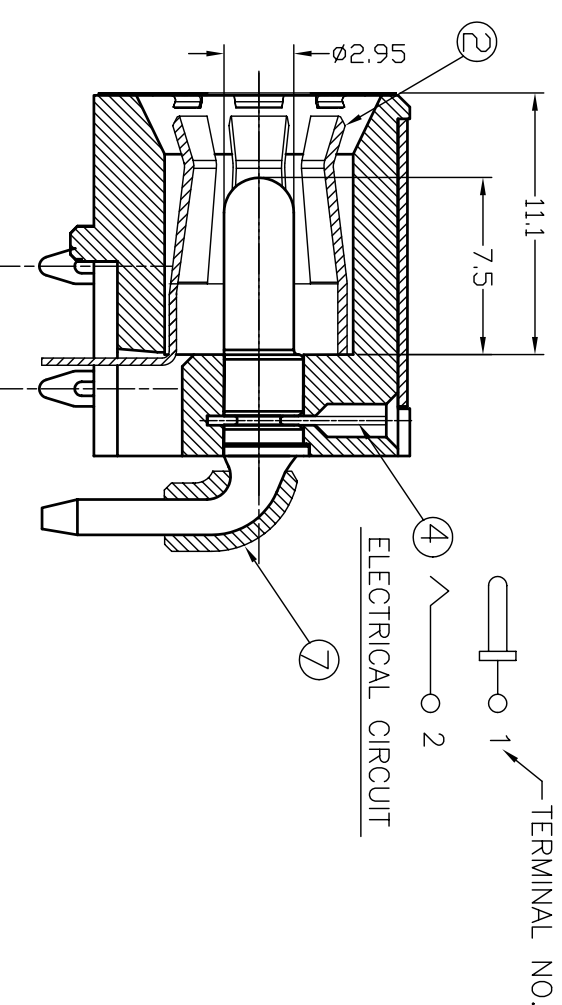
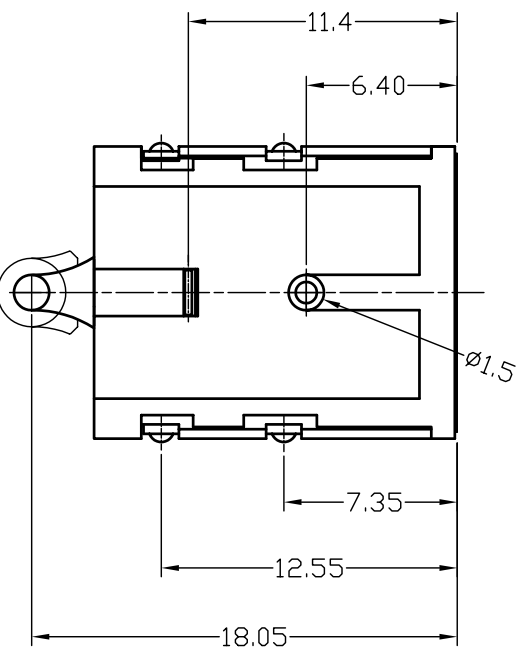
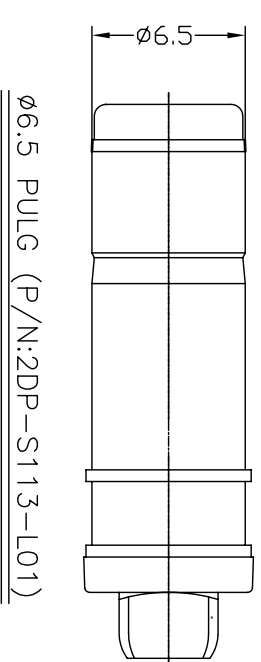
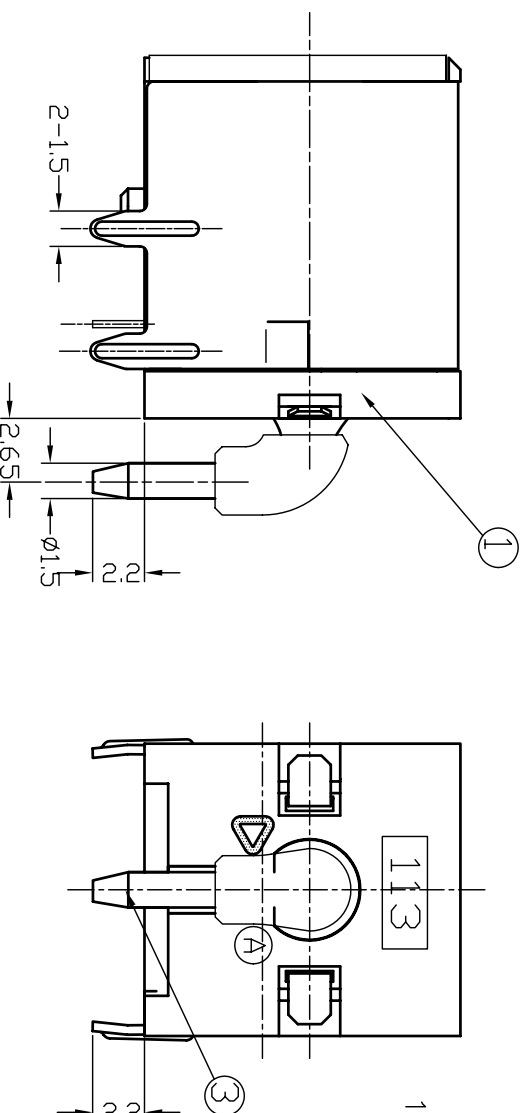
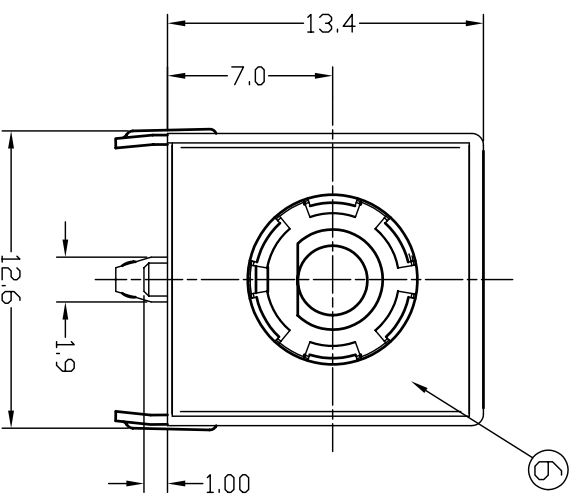


REV.	ECN NO OR DESCRIPTION	REVISED	DATE
A	產品圖正式發行 / PRODUCT RELEASE	EVEN	5/20-'04

DATE CODE  
 YY: Year (03)  
 MM: Month (01~12)  
 DD: Day (01~31)



RECOMMENDED P.C.B. LAYOUT  
 SOLDERING SIDE



- SPECIFICATIONS:
- RATING: DC 20V 10A 43uF
  - INSERTION FORCE: 0.5kg~2.5kg  
WITHDRAWAL FORCE: 1.0kg~2.5kg
  - INSULATION RESISTANCE BETWEEN ANY ADJACENT TERMINALS SHALL NOT BE LESS THAN 100 MEGOHMS BY 500 VOLTS MEGGER.
  - JACK SHALL WITHSTAND 250 VOLTS BETWEEN ANY ADJACENT TERMINAL FOR ONE MINUTE.
  - CONTACT RESISTANCE SHALL NOT EXCEED 10mΩ
  - JACK SHALL WITHSTAND 5,000 CYCLES OF INSERTION AND WITHDRAWAL WITH TESTING PLUG, AND CONTACT RESISTANCE SHALL NOT EXCEED 30mΩ
  - MEASURING CONDITION:  
TEMPERATURE: FROM 5°C TO 35°C.  
RELATIVE HUMIDITY: FROM 40% TO 85%.
  - ENVIRONMENTAL SPECIFICATIONS:  
8.1 HUMIDITY TEST: HUMIDITY 90% TO 95% TEMPERATURE 40°C ±2°C FOR 96 HOURS.
  - HEAT TEST: TEMPERATURE 70°C ± 2°C (HUMIDITY BELOW 50%) FOR 96 HOURS.
  - COLD TEST: TEMPERATURE -40°C ± 2°C FOR 96 HOURS.
  - MATING PLUG : SINGATRON'S P/N : ZDP-S113-L01(PULG SET)
  - PACKING: TAPE & REEL

NO	DESCRIPTION	QTY	MATERIAL	COLOR & PLATING
7	HEAT SHRINKABLE TUBING	1	POLYOLEFIN 3.2φ	
6	GROUNDING	1	STAINLESS 0.1t	
5	SHIELDING	1	SPCC-SD 0.4t	TIN ALLOY PLATING
4	TERMINAL	1	STAINLESS 0.3t	
3	PIN	1	BRASS BAR	SILVER PLATING
2	TIP	1	COPPER ALLOY 0.3t	SILVER PLATING
1	BODY	1	HIGH TEMP. THERMOPLASTIC	BLACK COLOR

UNLESS OTHERWISE SPECIFIED TOLERANCES

DECIMALS: ANGLES:

X : ±0.3 X : ±2°  
 X.X : ±0.2 X.X : ±1°  
 X.XX : ±0.1

Singatron Enterprise Co., Ltd.  
 信普企業股份有限公司

D.C POWER JACK

PART NO. 2DC-S113-L05

SCALE: 3/1 UNIT: MM

SIZE: A3 SHEET: 1 OF 1

REV: A