
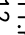
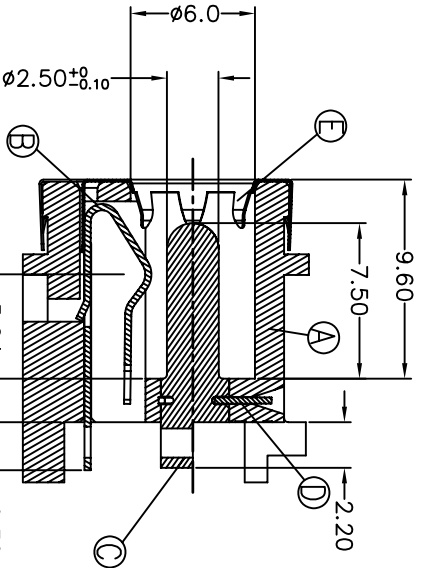
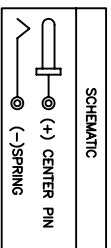
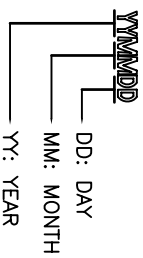
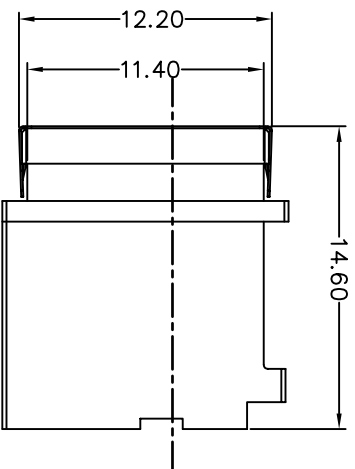
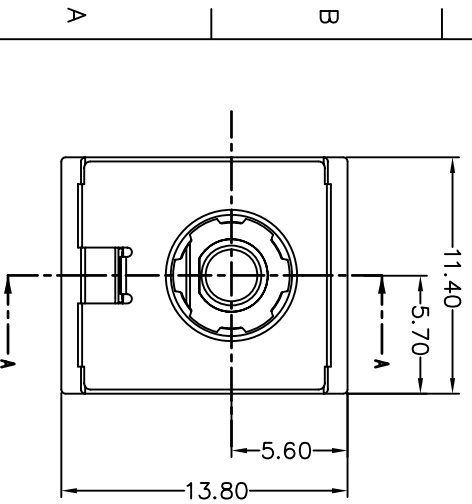
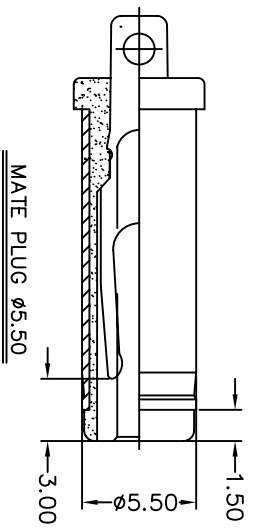
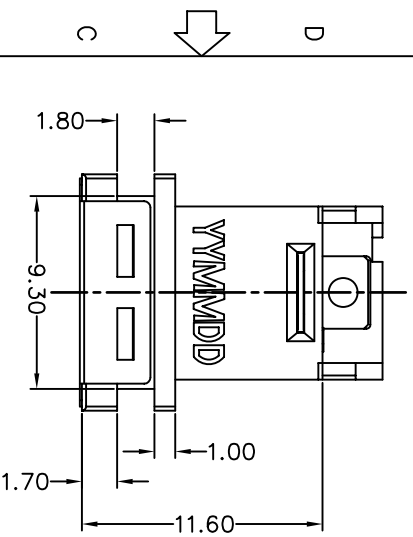


REV.	ECN NO.	OR DESCRIPTION	REVISED	DATE
A	PDR No: T071205-3A		Quan-Zhou	2008.02.12
B	ECN NO: S091119		Soldier	2010.01.29

- SPECIFICATIONS:**
1. RATING: DC 15V 9A
 2. INSERTION FORCE: 0.5~5.5kgf.
 3. WITHDRAWAL FORCE: 0.4kg~4.5kgf.
 4. INSULATION RESISTANCE BETWEEN ANY ADJACENT TERMINALS SHALL NOT BE LESS THAN 100 MEGOHMS BY 500 VOLTS MEGGER.
 5. JACK SHALL WITHSTAND 500 VOLTS BETWEEN ANY ADJACENT TERMINAL FOR ONE MINUTE.
 6. CONTACT RESISTANCE SHALL NOT EXCEED 30mΩ.
 7. JACK SHALL WITHSTAND 5,000 CYCLES OF INSERTION AND WITHDRAWAL WITH TESTING PLUG, AND CONTACT RESISTANCE SHALL NOT EXCEED 100mΩ.
 8. MEASURING CONDITION: TEMPERATURE: FROM 5°C TO 35°C. RELATIVE HUMIDITY: FROM 40% TO 85%.
 9. TO CONFORM TO SINGATRON HAZARDOUS SUBSTANCE FREE SPEC.
 10. GREEN PRODUCT IDENTIFICATION MARK ON JACK: .
 11. GREEN PRODUCT IDENTIFICATION LABEL ON PACKAGING: **G.P. PASS**
 12. FOR HAND SOLDERING LEAD-FREE PROCESS.
 13.  REPRESENT CRITICAL DIMENSIONS.
 14. PRINTED DATE CODE "YYMMDD" ON TOP OF CONNECTOR.



SECTION A - A



NO	DESCRIPTION	QTY	MATERIAL	PLATING & COLOR
E	GROUNDING	1	STAINLESS STEEL 0.1T	
D	TERMINAL	1	STAINLESS STEEL 0.3T	
C	CONTACT PIN	1	BRASS BAR	
B	TIP SPRING	1	COPPER ALLOY 0.3T	GOLD FLASH Ni 40-50u"(G14)
A	BODY	1	THERMOPLASTIC UL 94V-0	BLACK

UNLESS OTHERWISE SPECIFIED TOLERANCES

 Singatron Enterprise Co., Ltd.
信登企業股份有限公司

DECIMALS: ANGLES:

TITLE: DC POWER JACK

X : ±0.5 X : ±2
X.X : ±0.3 X.X : ±1°
X.XX : ±0.2

DWN Soldier PART NO. ZDC-S057-B01
CHKD Lussen SCALE: 4/1 UNIT: mm
APVD Max SIZE: A3 SHEET: 1 OF 1 REV: B

CUSTOMER COPY