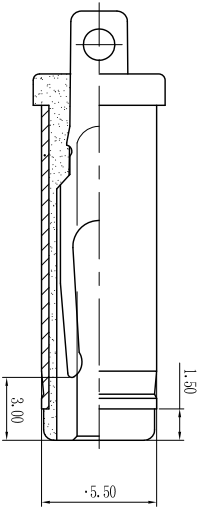
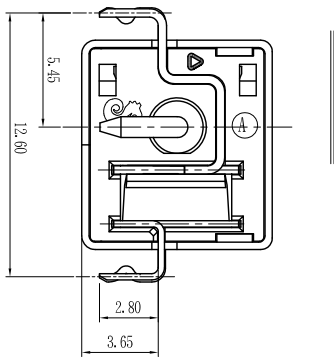
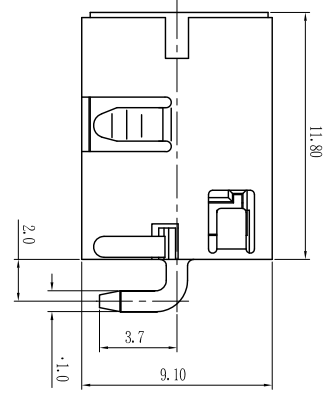
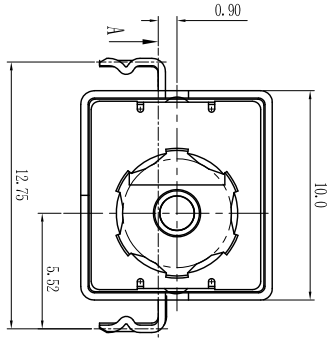
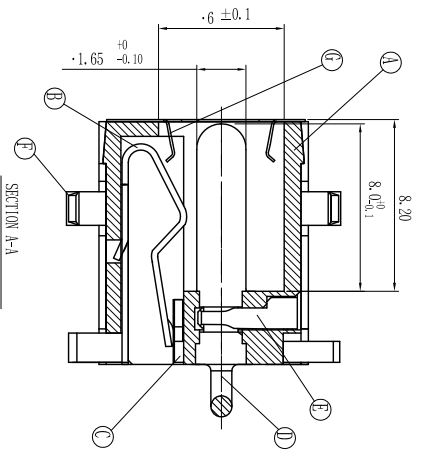
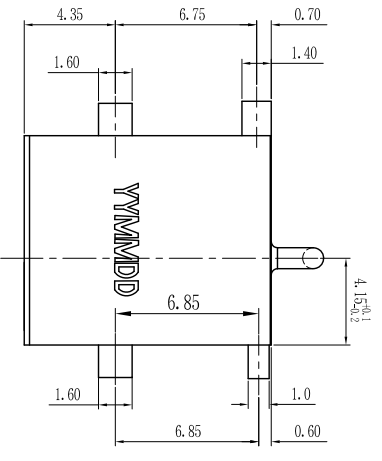


REV.	ECN NO OR DESCRIPTION	REVISED	DATE
F	ECN NO: C100198 CHANGE LAYOUT	BILL	2010.06.02
G	ECN NO.: C100044	REX	2010.07.27
H	ECN NO.: C100398	LONGJIANG	2010.09.28

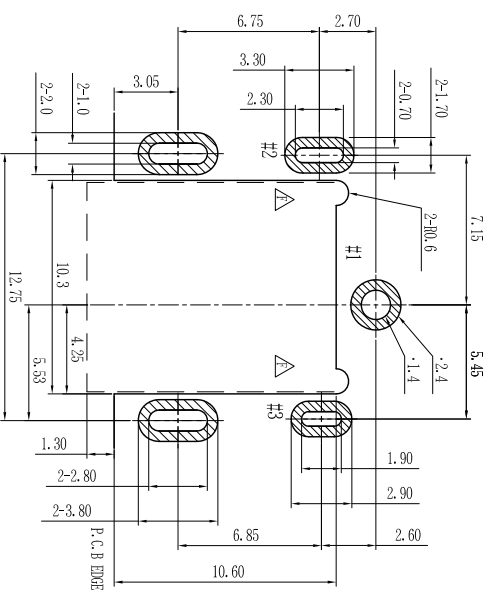


MATE PLUG: ±0.50

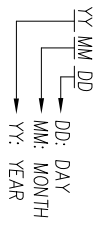
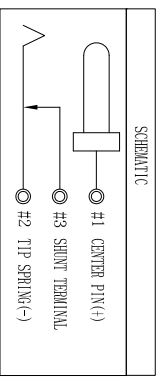
TABLE 1

PART NO.	PLATING&COLOR	PIN PLATING
2DC-G028-102	BLACK COLOR	PLATING Ag
2DC-G028-104	YELLOW COLOR	Gold Flash

RECOMMENDED P.C.B LAYOUT  
TOP VIEW (TOLERANCES: ±0.05)



- SPECIFICATIONS:
- 1.RATING: DC 20V 7A
  - 2.INSERTION FORCE: 2.5Kg MAX. WITHDRAWAL FORCE: 1.0Kg~2.5Kg
  - 3.INSULATION RESISTANCE BETWEEN ANY ADJACENT TERMINALS SHALL NOT BE LESS THAN 100 MEGOHMS BY 500V DC.
  - 4.JACK SHALL WITHSTAND 500 VOLTS BETWEEN ANY ADJACENT TERMINAL FOR ONE MINUTE.
  - 5.CONTACT RESISTANCE SHALL NOT EXCEED 0.03 OHMS.
  - 6.JACK SHALL WITHSTAND 5,000 CYCLES OF INSERTION AND WITHDRAWAL WITH TESTING PLUG, AND CONTACT RESISTANCE SHALL NOT EXCEED 0.06 OHMS.
  - 7.MEASURING CONDITION:  
TEMPERATURE: FROM 5°C TO 35°C.  
RELATIVE HUMIDITY: FROM 40% TO 85%
  - 8.TO CONFORM TO SINGATRON HAZARDOUS SUBSTANCE FREE SPEC.
  - 9.GREEN PRODUCT IDENTIFICATION LABEL ON PACKAGING: **G.P. PASS**
  10. FOR 260°C 10SEC. WAVE SOLDERING LEAD-FREE PRODUCT.
  - 11.PRINTED DATE CODE "YMMDD" ON TOP OF CONNECTOR.
  - 12.PACKAGING: TAPE&REEL



NO	DESCRIPTION	QTY	MATERIAL
A	BODY	1	COPPER ALLOY 0.3t
B	TIP SPRING	1	SILVER PLATING
C	SHUNT TERMINAL	1	SILVER PLATING
D	CONTACT PIN	1	SEE "TABLET"
E	TERMINAL	1	SEE "TABLET"
F	SHIELD	1	NICKEL PLATING
G	GROUND	1	SUS 0.1t

UNLESS OTHERWISE SPECIFIED TOLERANCES

Singaton Enterprise Co., Ltd.  
信音企業股份有限公司

DECIMALS:	ANGLES:	TITLE
X : ±0.5	X : ±2°	DC POWER JACK
K.X : ±0.3	K.X : ±1°	PART NO. 2DC-G028-10X
K.XX : ±0.2		SCALE 4:1 UNIT: mm
		SIZE: A3 SHEET: 10F1
		REV: H

CUSTOMER COPY