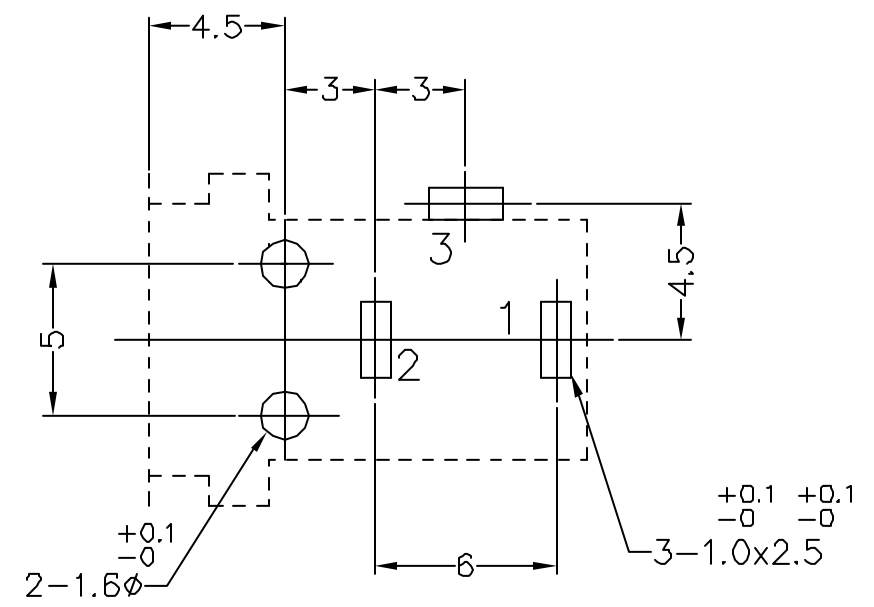
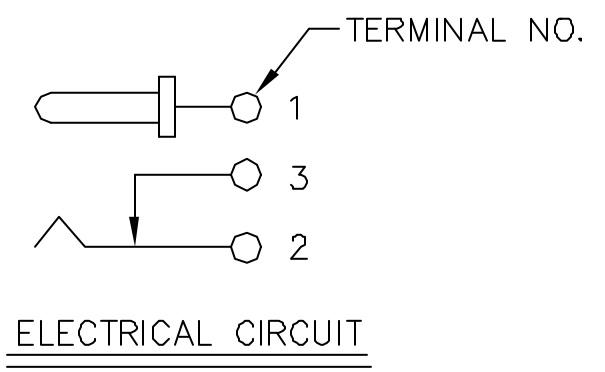


SPECIFICATIONS:

1. CURRENT RATING: 18 VDC 2A.
2. SEE DC POWER JACK SPECIFICATIONS.
3. EIAJ RC-5320A: TYPE B CLASS 5.



RECOMMENDED P.C.B LAYOUT
SOLDER SIDE
(TOLERANCE: ±0.05)

"TABLE 1"

MODEL NO.	COLOR
2DC-A243-001	BLACK
2DC-A243-Y01	YELLOW

NO	DESCRIPTION	QTY	MATERIAL	PLATING & COLOR
4	CENTER SPRING	1	BRASS 0.5t	SILVER PLATING
3	SHUNT TERMINAL	1	BRASS 0.5t	SILVER PLATING
2	TIP SPRING	1	PHOSPHOR BRONZE 0.3t	SILVER PLATING
1	BODY	1	PBT UL 94V-0	SEE "TABLE 1"

UNLESS OTHERWISE SPECIFIED TOLERANCES

Singatron Enterprise Co., Ltd.
信音企業股份有限公司

DECIMALS:	ANGLES:	TITLE	DC POWER JACK		
X : ±0.3	X : ±2'	DWN	EVEN 4/20-'01	PART NO. 2DC-A243-□01	
X.X : ±0.2	X.X : ±1'	CHKD	SAM 4/20-'01	SCALE: 4/1	UNIT: MM
X.XX : ±0.1		APVD	SHUN 4/20-'01	SIZE: A3	SHEET: 1 OF 1
					REV: A