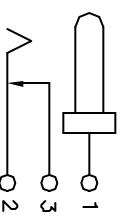
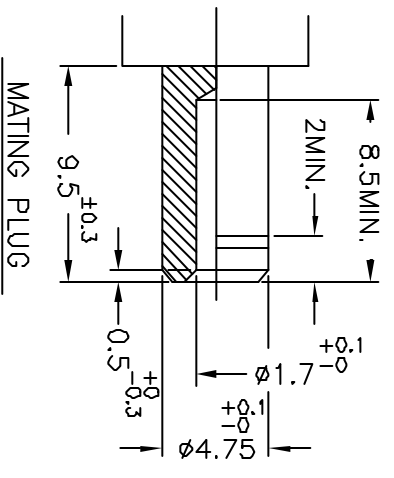
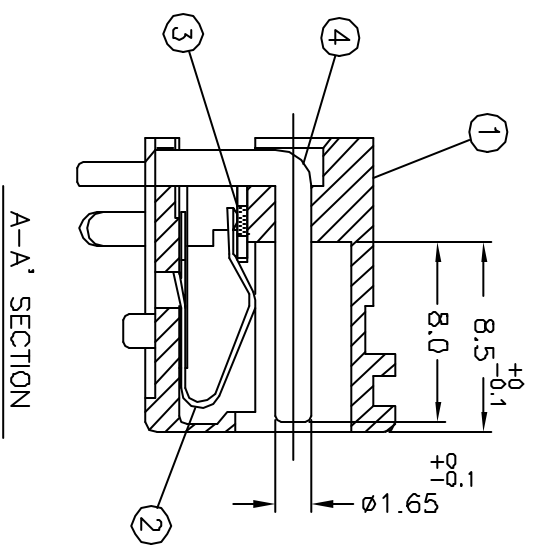
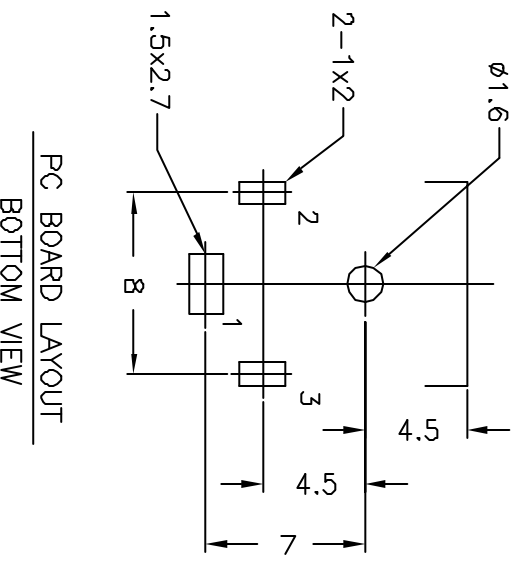
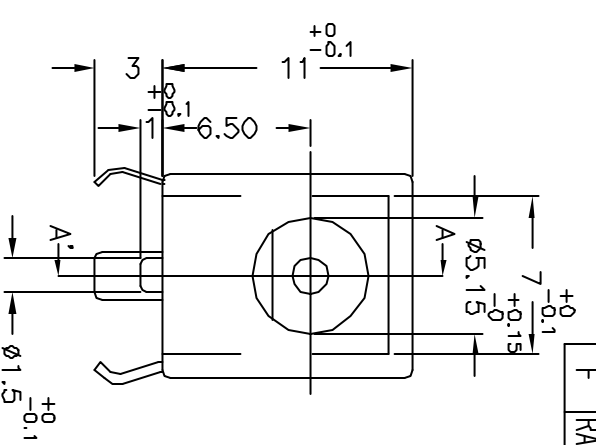
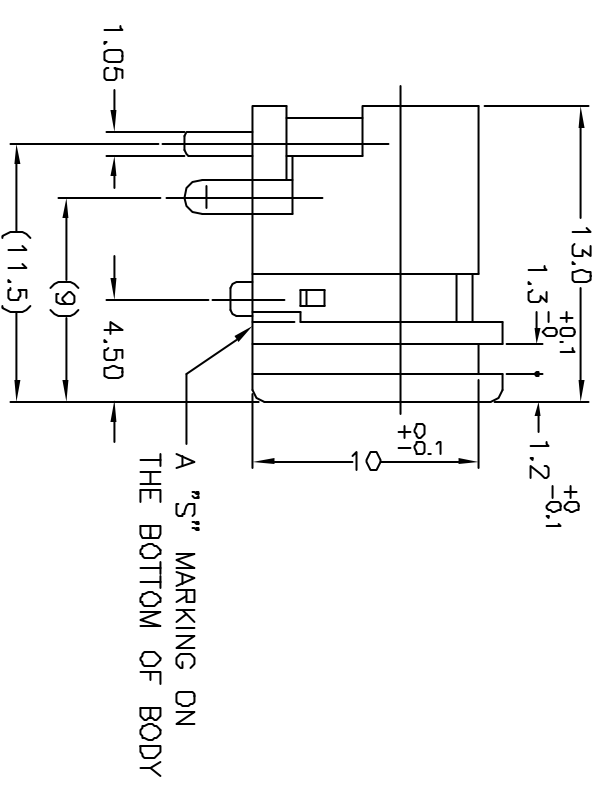
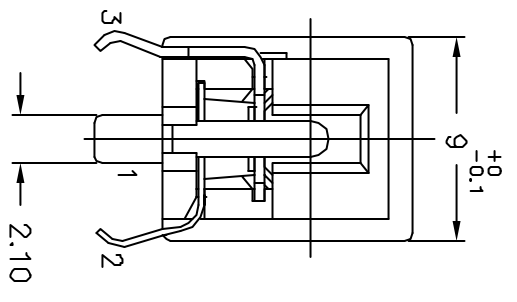


REV.	ECN NO OR DESCRIPTION	REVISED	DATE
F	RATING 10.5V 3A → 20V 4A	AMY	11/6-'02



- SPECIFICATIONS:**
- 1.RATING: DC 20V 4A
 - 2.INSERTION FORCE: 2Kg MAX. WITHDRAWAL FORCE: 0.3Kg~1.5Kg
 - 3.INSULATION RESISTANCE BETWEEN ANY ADJACENT TERMINALS SHALL NOT BE LESS THAN 100 MEGOHMS BY 500 VOLTS MEGGER.
 - 4.JACK SHALL WITHSTAND 500 VOLTS BETWEEN ANY ADJACENT TERMINAL FOR ONE MINUTE.
 - 5.CONTACT RESISTANCE SHALL NOT EXCEED 0.03 OHMS.
 - 6.JACK SHALL WITHSTAND 5,000 CYCLES OF INSERTION AND WITHDRAWAL WITH TESTING PLUG, AND CONTACT RESISTANCE SHALL NOT EXCEED 0.06 OHMS.
 - 7.MEASURING CONDITION:
TEMPERATURE: FROM 5°C TO 35°C.
RELATIVE HUMIDITY: FROM 40% TO 85%.

NO	DESCRIPTION	QTY	MATERIAL	PLATING & COLOR
4	CONTACT PIN	1	BRASS	SILVER PLATING
3	SHUNT TERMINAL	1	BRASS 0.4t	SILVER PLATING
2	TIP SPRING	1	COPPER ALLOY 0.25t	SILVER PLATING
1	BODY	1	PBT UL 94V-0	BLACK COLOR

UNLESS OTHERWISE SPECIFIED TOLERANCES

DECIMALS: ANGLES:

X	:±0.3	X	:±2°
X.X	:±0.2	X.X	:±1°
X.XX	:±0.1		

 Singatron Enterprise Co., Ltd.
信音企業股份有限公司

TITLE	DC POWER JACK		
DWN	AMV 11/6-'02	PART NO.	2DC-00341100
CHKD	SHUN 11/6-'02	SCALE:	3/1
APVD	MAI 11/6-'02	SIZE:	A3
		SHEET:	1 OF 1
		REV:	F