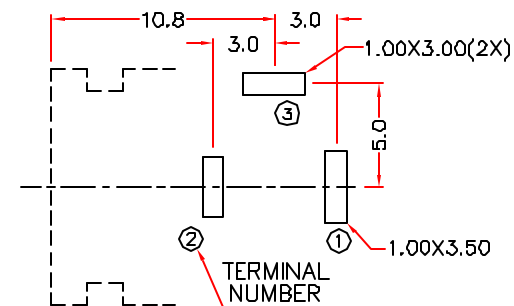
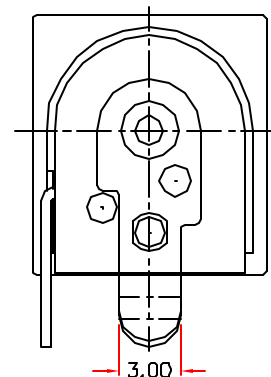
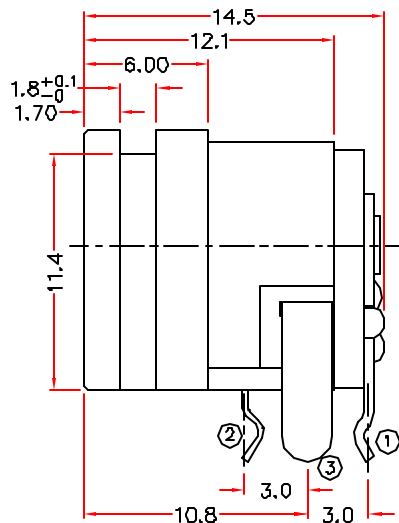
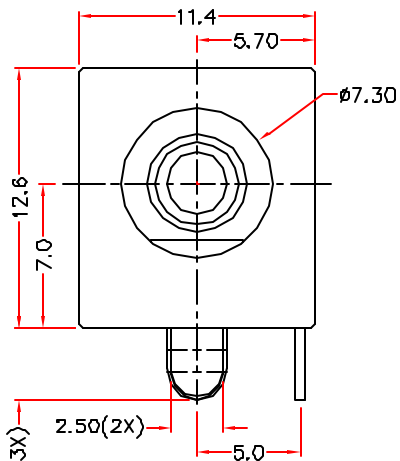
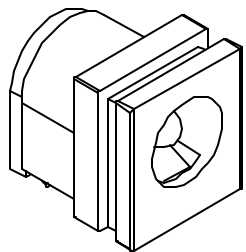
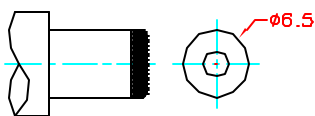


RoHS  
Compliant

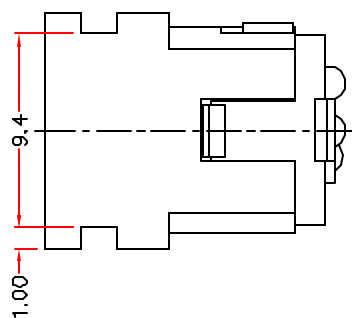
ZONE	SYMBOL	REVISION	APPROVAL	DATE
		ADD MATE PLUG	J.X.KUANG	29-9-2006



PCB LAYOUT  
(BOTTOM VIEW)



DC MATE PLUG



MODEL NO.	HDC-004H-2
SCHEMATIC	
CENTER PIN	ø2mm
	ø2.5mm
	ø3mm

\* MATERIAL

CENTRE PIN : COPPER  
 TERMINAL 1 : BRASS  
 TERMINAL 2 : COPPER ALLOY  
 TERMINAL 3 : BRASS  
 HOUSING : PBT  
 COVER : PBT

HUAI YANG CO.,LTD. 淮洋有限公司 TEL:886-2-8261-0858

PART NAME	HIGH CURRENT DC POWER SOCKET	TOLERANCE UNLESS	0.0±0.2	UNIT:
PART NO.	HDC-004H-2	OTHERWISE SPECIFIED:	0.00±0.1 0.000±0.05	

DESIGN	J.X.KUANG	DATE	11-10-2003	SCALE	3:1
DRAWING	L.L.ZHANG	DATE	29-9-2006	MATERIAL	*
CHECK		DATE		DWG. NO.	TZ\DC040H-2-PBT/B
APPROVAL		DATE		SHEET	

F

E

D

C

B

A DCF-04/A