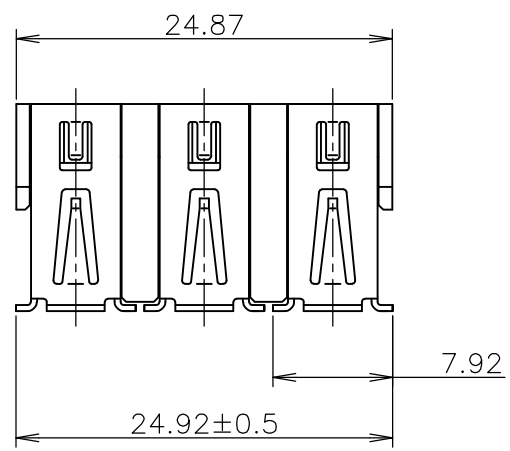


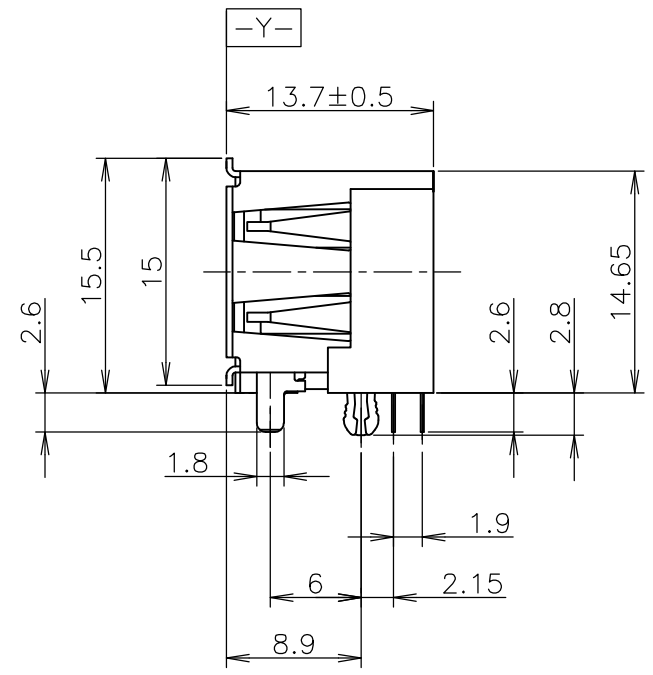
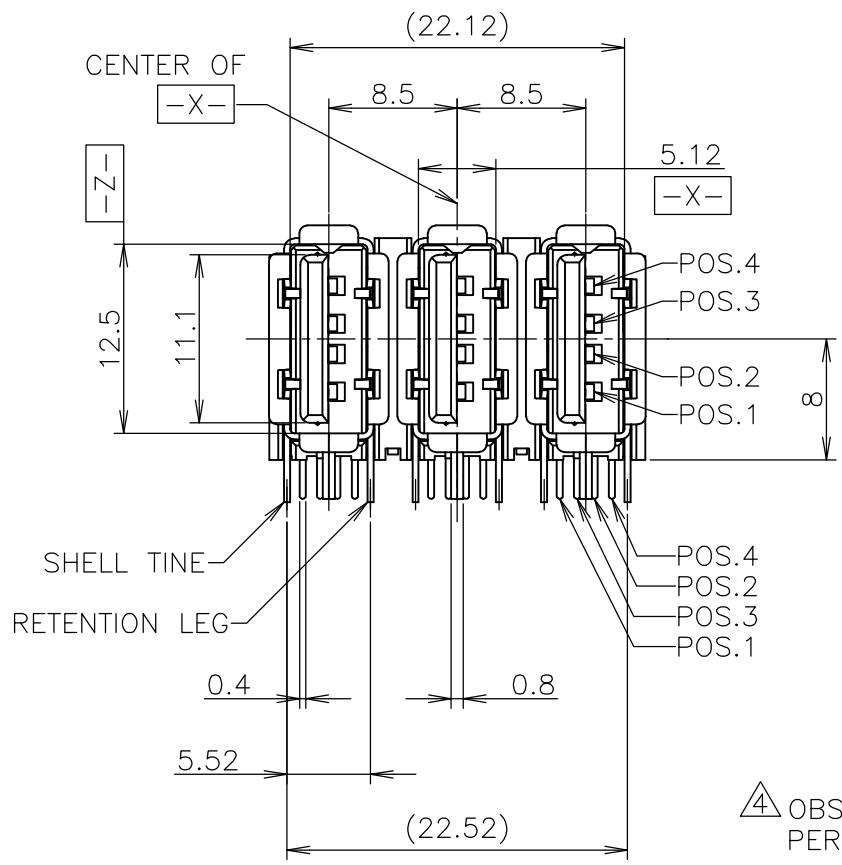
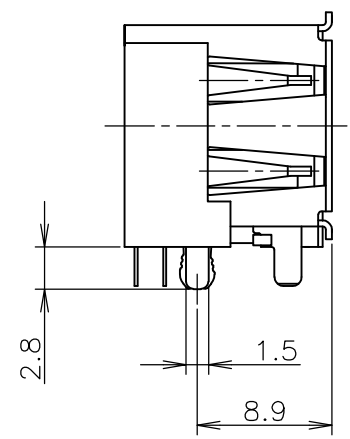
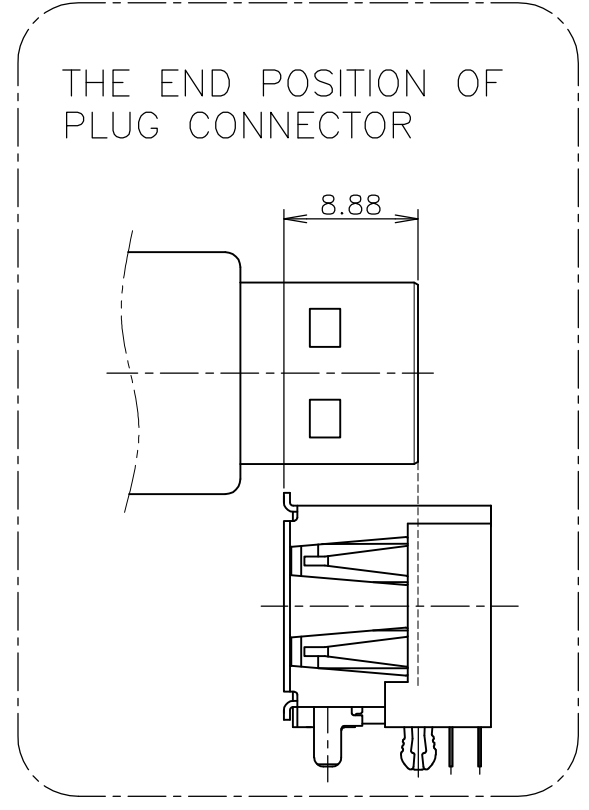
THIS DRAWING IS UNPUBLISHED. RELEASED FOR PUBLICATION DEC ,2001.  
 © COPYRIGHT 2001 By - ALL RIGHTS RESERVED.

LOC	DIST	REVISIONS					
J	/	P	LTR	DESCRIPTION	DATE	DWN	APVD
			E2	REVISED PER ECO-11-005030	11MAR11	RK	HMR

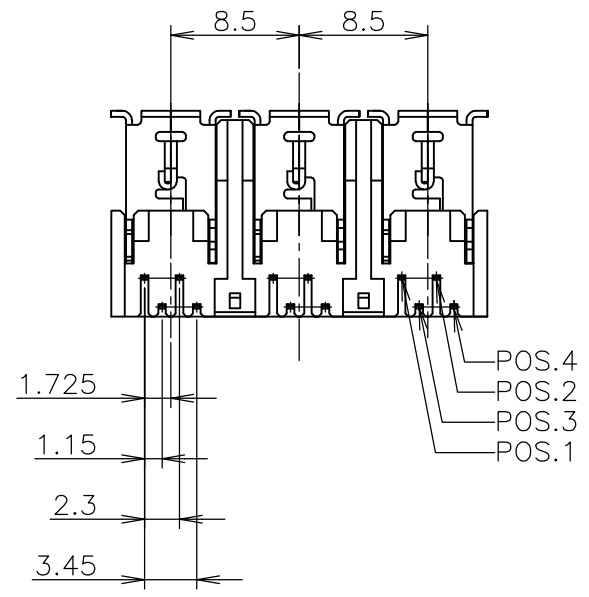
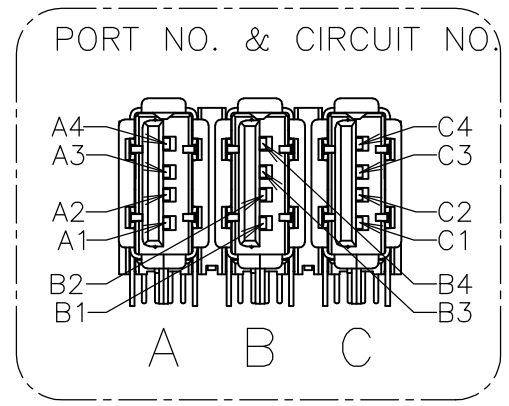
4-1565589-3  
 1565589-2  
 ; AS SHOWN



- ④ MATERIAL  
 HOUSING: THERMO-PLASTICS UL94V-0 BLACK  
 CONTACT: COPPER ALLOY  
 FRONT SHELL: COPPER ALLOY
- ② FINISH  
 CONTACT: NICKEL UNDER PLATE ALL OVER.  
 CONTACT AREA: GOLD PLATE  
 TINE AREA: TIN-LEAD PLATING
- ③ FINISH  
 CONTACT: NICKEL UNDER PLATE ALL OVER.  
 CONTACT AREA: GOLD PLATE  
 TINE AREA: TIN PLATING  
 FRONT SHELL: TIN PLATE



④ OBSOLETE PARTS: OBSOLETE CIS STREAMLINING PER D.RENAUD/D.SINISI



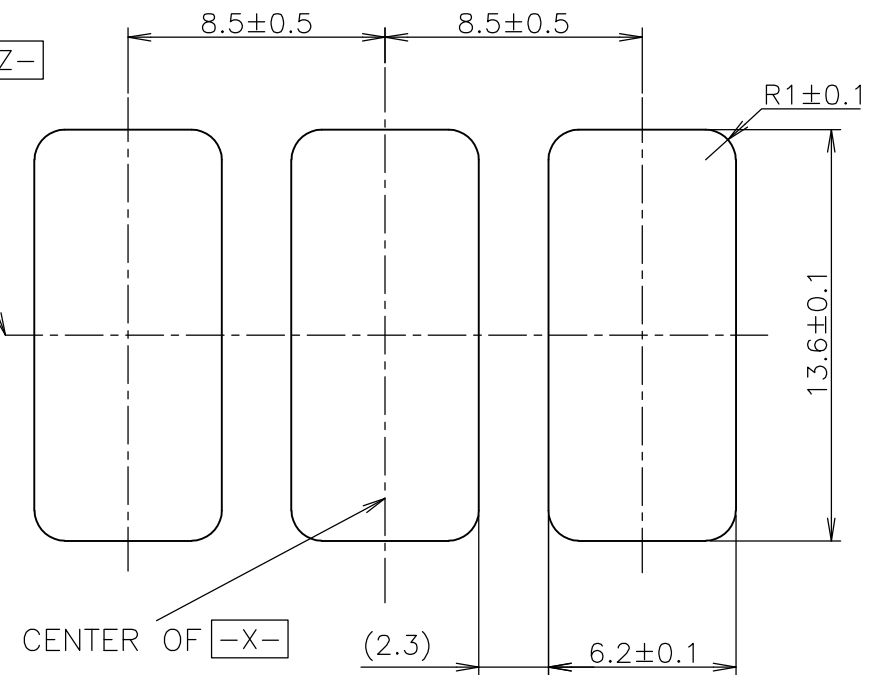
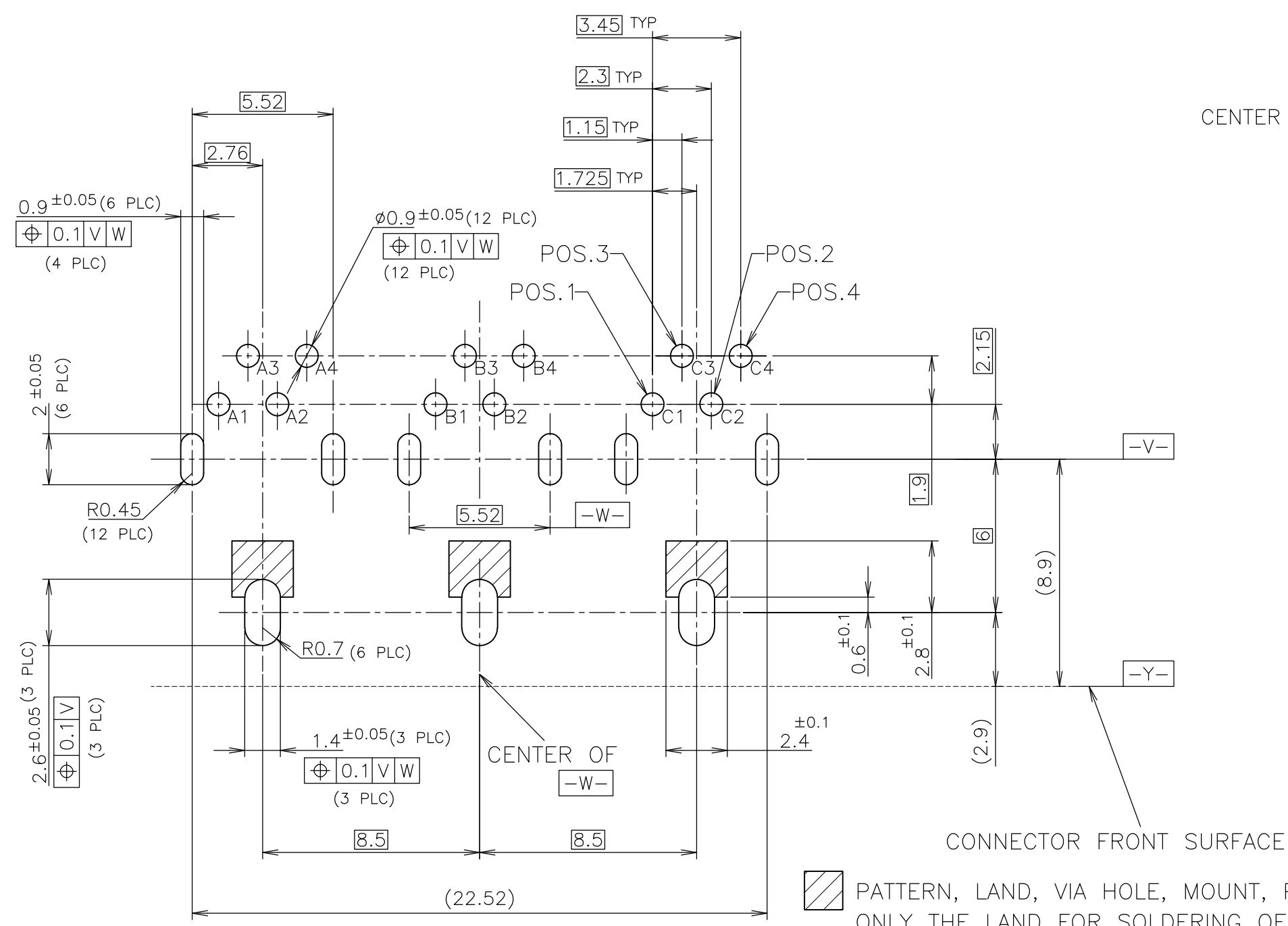
④ OBSOLETE

SEE SHEET 5, 6	③	6-1565589-2
SEE SHEET 3, 4	②	3-1565589-3
SEE SHEET 1, 2	③	6-1565589-1
	③	4-1565589-3
	②	1565589-2
REMARK	FINISH	PART NO.

THIS DRAWING IS A CONTROLLED DOCUMENT.		DWN S.TODA 12DEC2001	<b>STE</b> TE Connectivity	
DIMENSIONS: 单位: 耗 mm		CHK J.TANIGAWA 12DEC2001		
TOLERANCES UNLESS OTHERWISE SPECIFIED: 一般公差		APVD H.KODAMA 12DEC2001	NAME 名称	
0 PLC ± 0.3		PRODUCT SPEC 製品規格		
1 PLC ± 0.3		108-5804		
2 PLC ± 0.3		APPLICATION SPEC 取付適用規格		
3 PLC ± 0.3		SIZE A3	CAGE CODE 00779	DRAWING NO. C-1565589
4 PLC ± 0.3		RESTRICTED TO		
ANGLES ± 3'		SCALE 尺度 2:1		
FINISH 仕上		SHEET 1 OF 6		
MATERIAL 材料		REV E2		
①		CUSTOMER DRAWING		

THIS DRAWING IS UNPUBLISHED. RELEASED FOR PUBLICATION DEC. 2001.  
 © COPYRIGHT 2001 By - ALL RIGHTS RESERVED.

LOC	DIST	REVISIONS					
J	/	P	LTR	DESCRIPTION	DATE	DWN	APVD
		-		SEE SHEET 1	-	-	-



\*THIS DIMENSIONS ARE NOT CONSIDERATION  
 PANEL TOLERANCE AND PANEL ASSEMBLY TOLERANCE.

RECOMMENDED PANEL DIMENSION

PATTERN, LAND, VIA HOLE, MOUNT, PROHIBITION AREA.  
 ONLY THE LAND FOR SOLDERING OF FRONT SHELL IS OK.

RECOMMENDED LAYOUT OF P.C.B  
 (CONNECTOR MOUNTING SIDE)  
 RECOMMENDED THICKNESS: 1.0~1.6mm  
 APPLICATION PRODUCT: 1565589-2  
 4-1565589-3

THIS DRAWING IS A CONTROLLED DOCUMENT.		DWN		TE Connectivity	
DIMENSIONS: 单位: 耗 mm		CHK			
TOLERANCES UNLESS OTHERWISE SPECIFIED: 一般公差		APVD		NAME 名称	
0 PLC ± 0.3		PRODUCT SPEC 製品規格		USB CONNECTOR RECEPTACLE TYPE	
1 PLC ± 0.3		APPLICATION SPEC 取付適用規格		SIZE	
2 PLC ± 0.3		WEIGHT		CAGE CODE	
3 PLC ± 0.3		CUSTOMER DRAWING		DRAWING NO 番号	
4 PLC ± 0.3		SCALE 尺度 5:1		SHEET 2 OF 6	
ANGLES ± 3'		RESTRICTED TO		REV E2	
FINISH 仕上		A3 00779		G-1565589	

THIS DRAWING IS UNPUBLISHED.

RELEASED FOR PUBLICATION DEC ,2001.

© COPYRIGHT 2001 By -

ALL RIGHTS RESERVED.

LOC J

DIST

REVISIONS

变更

DESCRIPTION

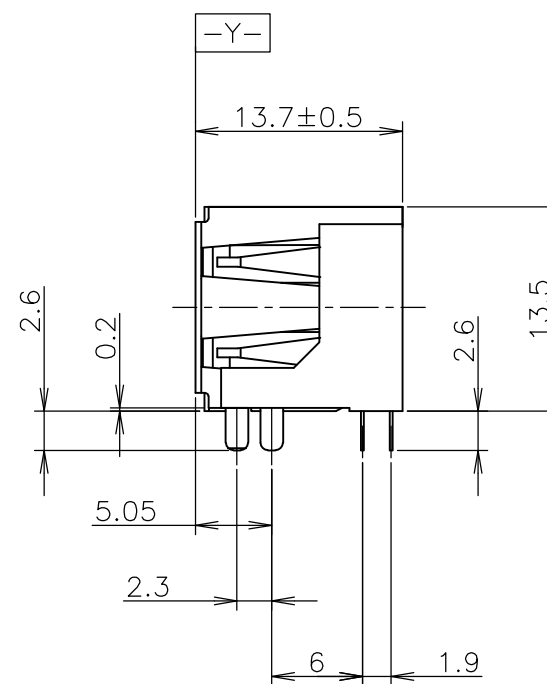
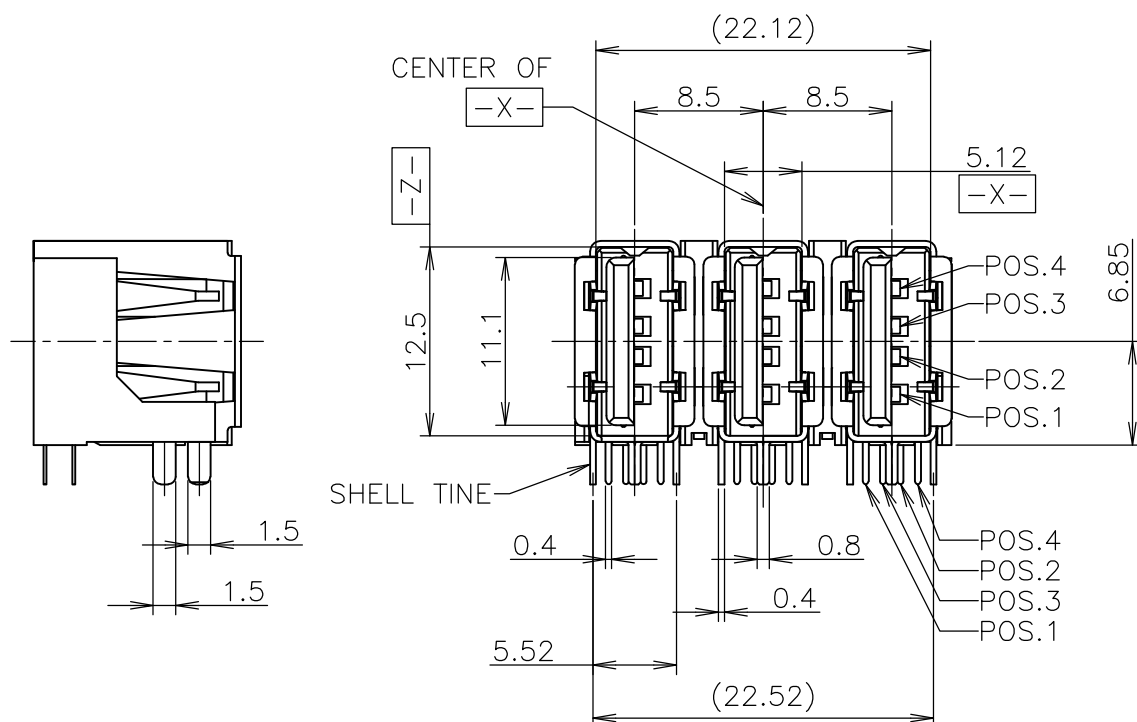
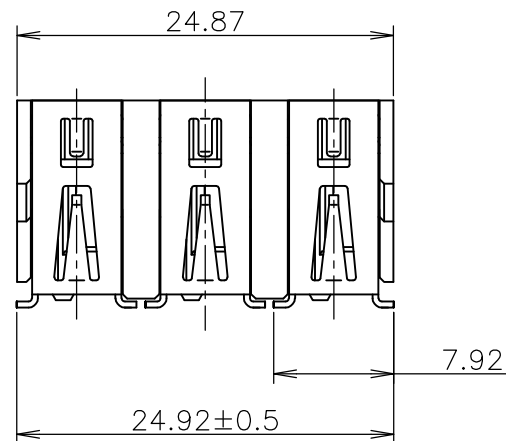
DATE

DWN

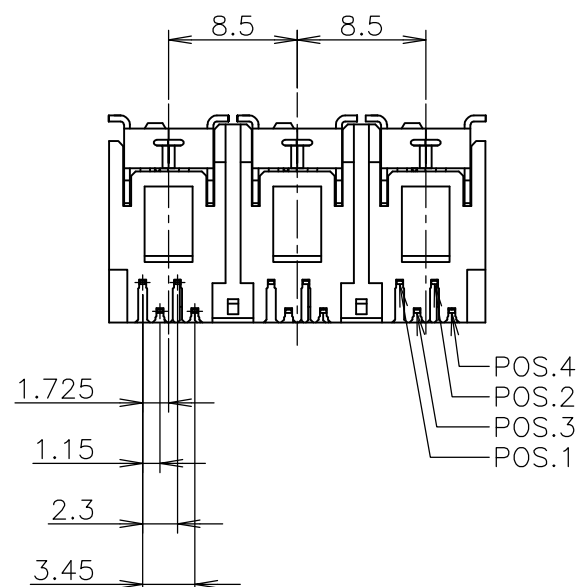
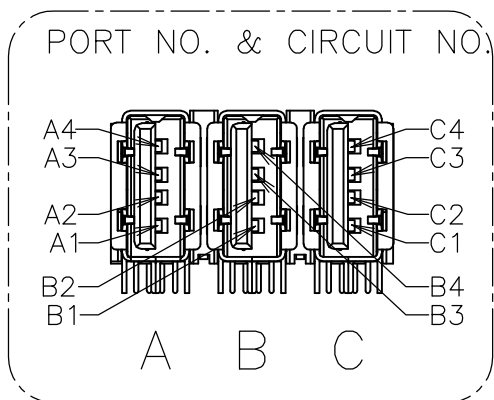
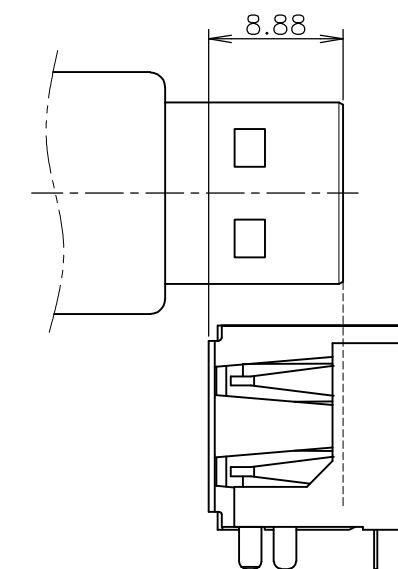
APVD

SEE SHEET 1

6-1565589-1  
; AS SHOWN



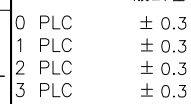
THE END POSITION OF  
PLUG CONNECTOR



THIS DRAWING IS A CONTROLLED DOCUMENT.

DIMENSIONS:  
单位: 耗  
mm

TOLERANCES UNLESS  
OTHERWISE SPECIFIED:  
一般公差



- 0 PLC ± 0.3
- 1 PLC ± 0.3
- 2 PLC ± 0.3
- 3 PLC ± 0.3
- 4 PLC ± 0.3
- ANGLES ± 3'

MATERIAL  
材料

FINISH  
仕上

DWN  
CHK  
APVD  
PRODUCT SPEC  
製品規格  
APPLICATION SPEC  
取付適用規格  
WEIGHT

**STE** TE Connectivity

NAME  
名称

USB CONNECTOR  
RECEPTACLE TYPE

SIZE

CAGE CODE

DRAWING NO  
番号

RESTRICTED TO

A3 00779

G-1565589

CUSTOMER DRAWING

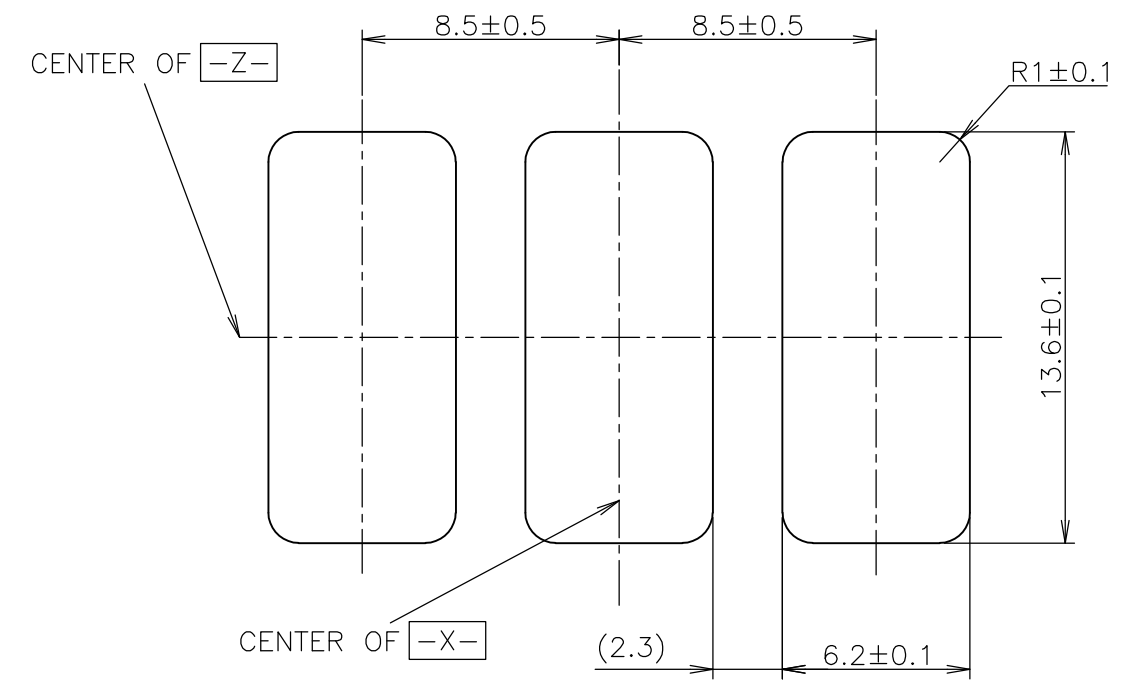
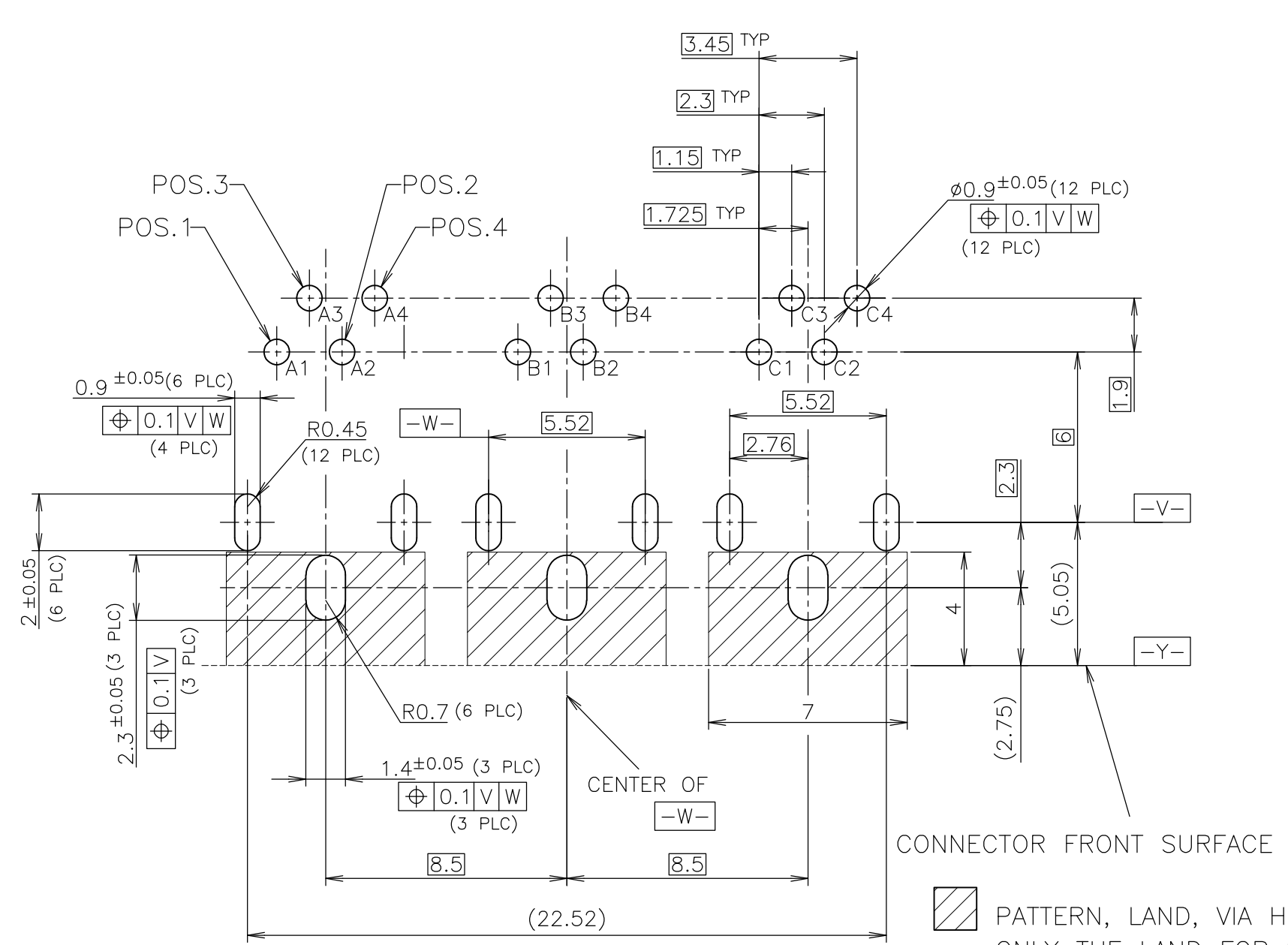
SCALE  
尺度 5:1

SHEET  
3 OF 6

REV  
E2

THIS DRAWING IS UNPUBLISHED. RELEASED FOR PUBLICATION DEC. 2001.  
 © COPYRIGHT 2001 By - ALL RIGHTS RESERVED.

LOC	DIST	REVISIONS		
		P	LTR	DESCRIPTION
J	/	-	-	SEE SHEET 1
				DATE
				DWN
				APVD



\*THIS DIMENSIONS ARE NOT CONSIDERATION  
 PANEL TOLERANCE AND PANEL ASSEMBLY TOLERANCE.

RECOMMENDED PANEL DIMENSION

RECOMMENDED LAYOUT OF P.C.B  
 (CONNECTOR MOUNTING SIDE)  
 RECOMMENDED THICKNESS: 1.0~1.6mm

CONNECTOR FRONT SURFACE

PATTERN, LAND, VIA HOLE, MOUNT, PROHIBITION AREA.  
 ONLY THE LAND FOR SOLDERING OF FRONT SHELL IS OK.

THIS DRAWING IS A CONTROLLED DOCUMENT.		DWN	TE Connectivity		
DIMENSIONS: 单位: 耗 mm		CHK			
TOLERANCES UNLESS OTHERWISE SPECIFIED: 一般公差		APVD	NAME 名称		
0 PLC ± 0.3		PRODUCT SPEC 製品規格	USB CONNECTOR RECEPTACLE TYPE		
1 PLC ± 0.3		APPLICATION SPEC 取付適用規格	SIZE	CAGE CODE	DRAWING NO 番号
2 PLC ± 0.3		WEIGHT	A3	00779	C-1565589
3 PLC ± 0.3			RESTRICTED TO		
4 PLC ± 0.3			SCALE 5:1		
ANGLES ± 3'			SHEET 4 OF 6		
FINISH 仕上			REV E2		
MATERIAL 材料			CUSTOMER DRAWING		

THIS DRAWING IS UNPUBLISHED.

RELEASED FOR PUBLICATION DEC ,2001.

© COPYRIGHT 2001 By -

ALL RIGHTS RESERVED.

LOC	DIST
J	/

REVISIONS

变更

DESCRIPTION

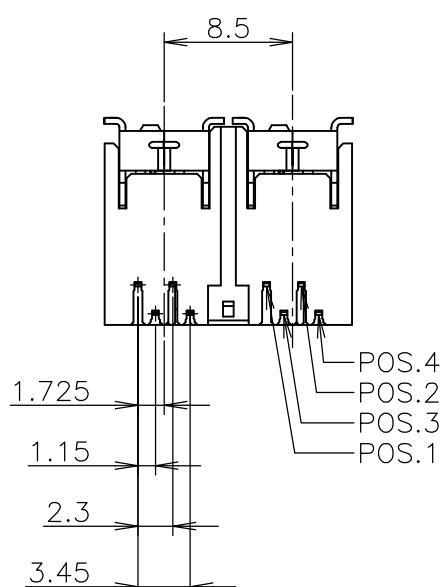
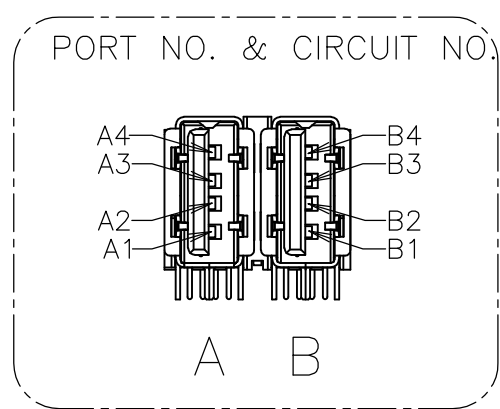
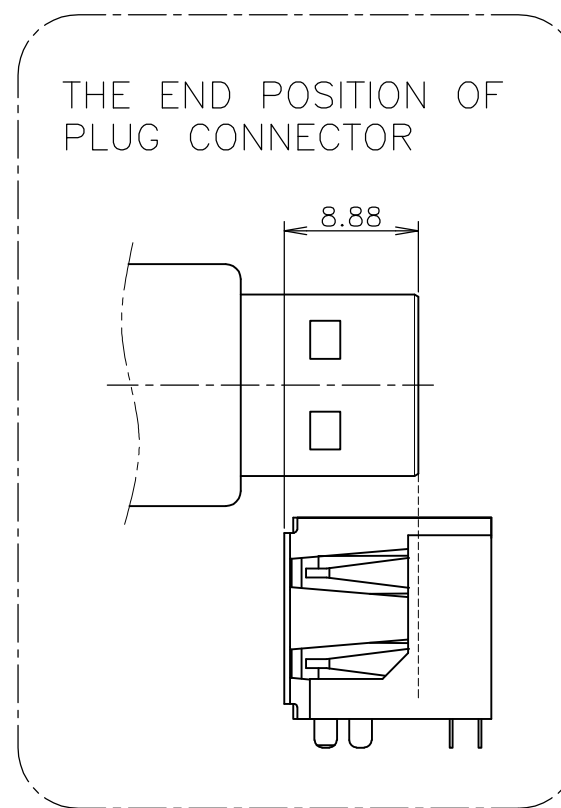
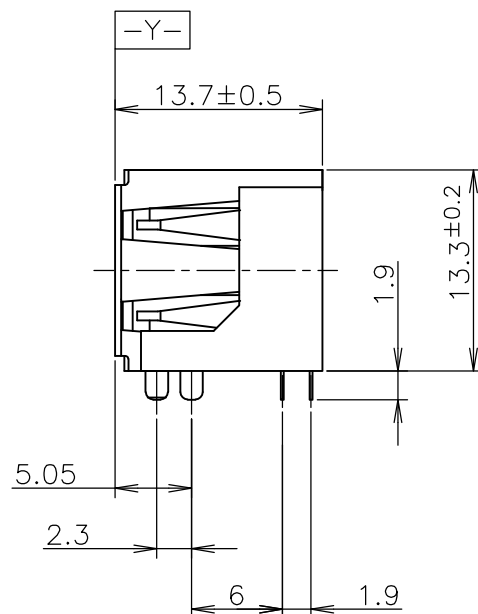
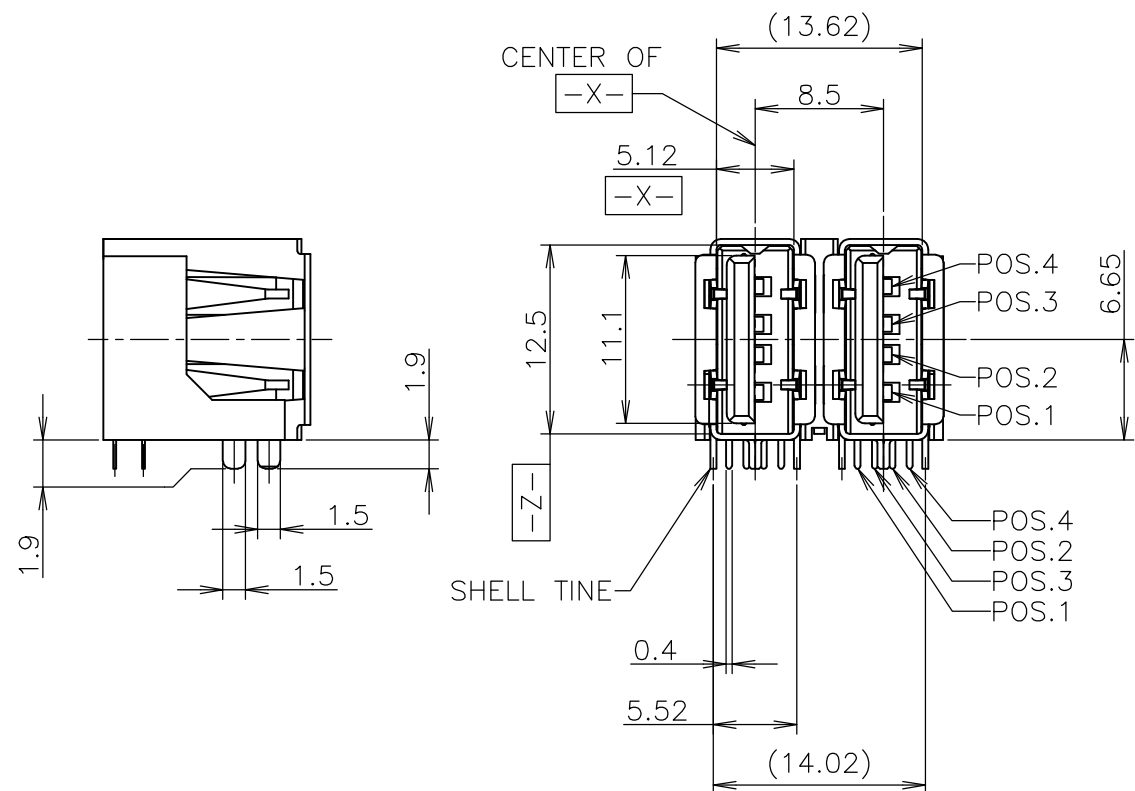
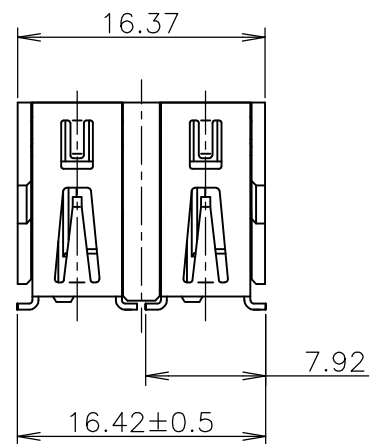
DATE

DWN

APVD

SEE SHEET 1

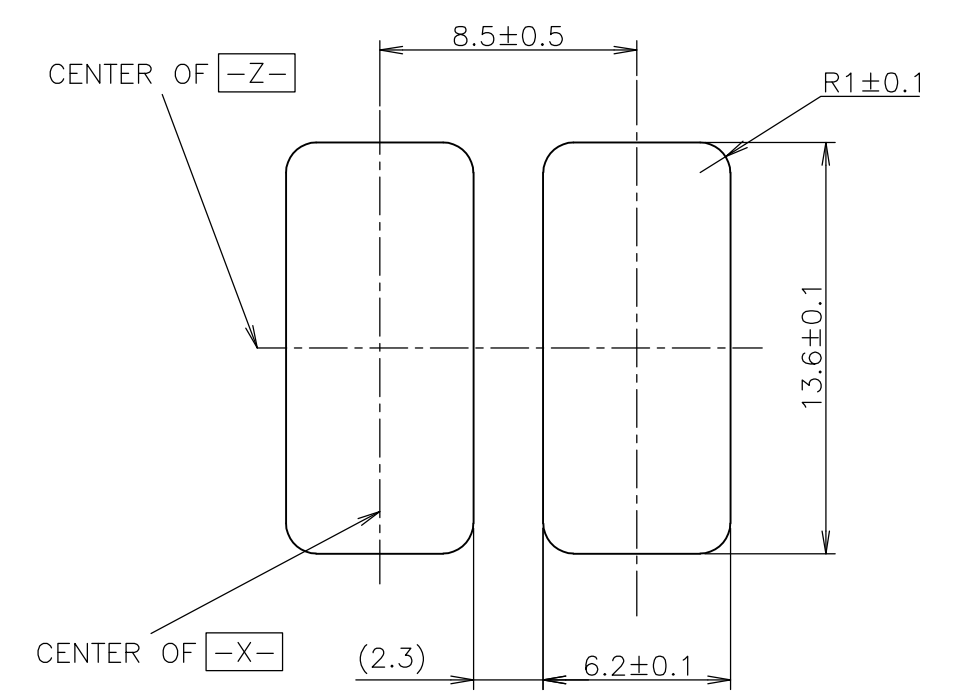
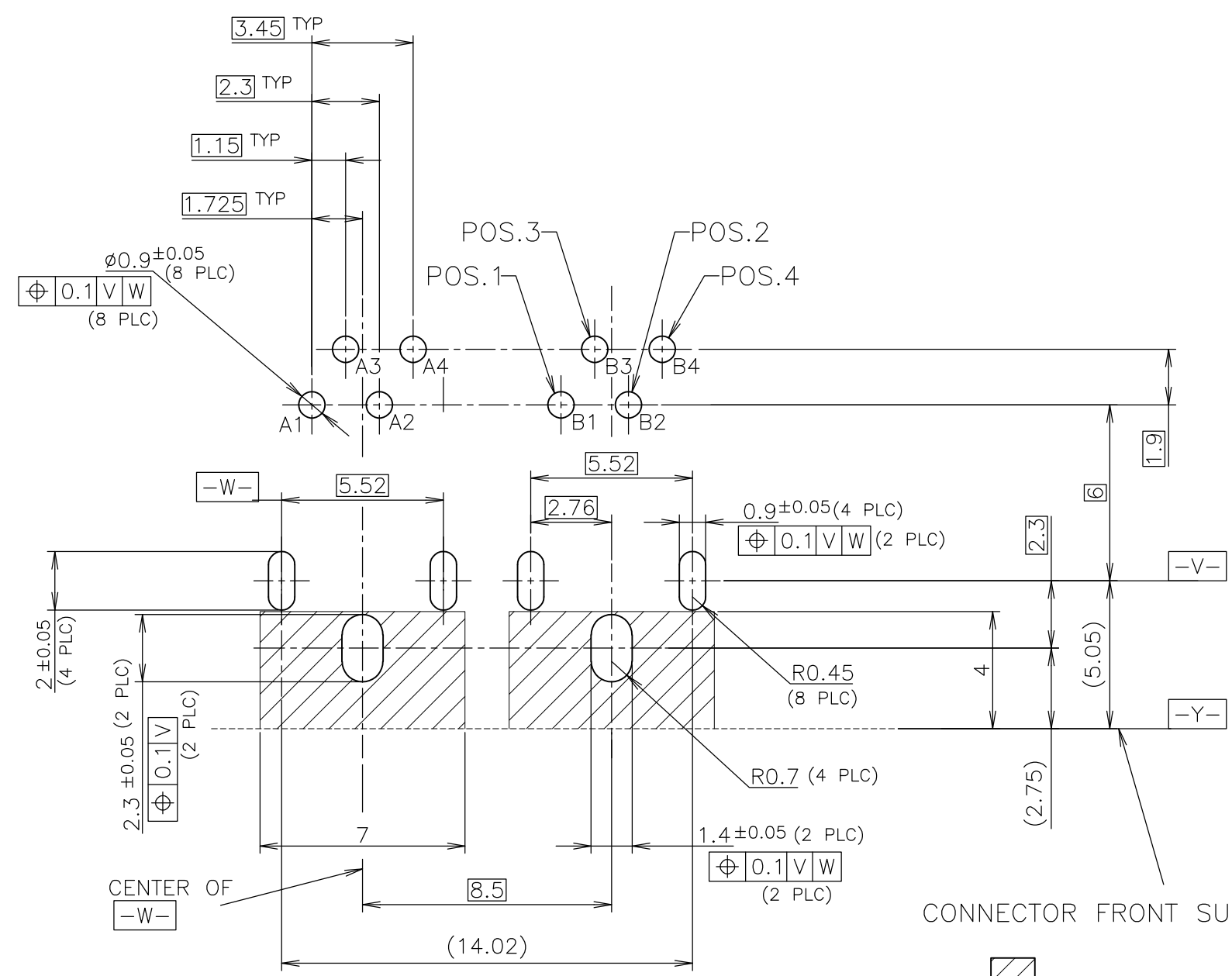
6-1565589-2  
3-1565589-3  
; AS SHOWN



THIS DRAWING IS A CONTROLLED DOCUMENT.		DWN	<b>STE</b> TE Connectivity		
DIMENSIONS: 单位: 耗 mm		CHK			
TOLERANCES UNLESS OTHERWISE SPECIFIED: 一般公差		APVD	NAME 名称		
0 PLC ± 0.3		PRODUCT SPEC 製品規格	USB CONNECTOR RECEPTACLE TYPE		
1 PLC ± 0.3		APPLICATION SPEC 取付適用規格	SIZE	CAGE CODE	DRAWING NO 番号
2 PLC ± 0.3		WEIGHT	A3	00779	C-1565589
3 PLC ± 0.3		CUSTOMER DRAWING	RESTRICTED TO		
4 PLC ± 0.3			SCALE 尺度	SHEET	REV
ANGLES ± 3'			5:1	5 OF 6	E2
MATERIAL 材料	FINISH 仕上				

THIS DRAWING IS UNPUBLISHED. RELEASED FOR PUBLICATION DEC ,2001.  
 © COPYRIGHT 2001 By - ALL RIGHTS RESERVED.

LOC	DIST	REVISIONS			DATE	DWN	APVD
J	/	P	LTR	DESCRIPTION			
		-		SEE SHEET 1	-	-	-



\*THIS DIMENSIONS ARE NOT CONSIDERATION  
 PANEL TOLERANCE AND PANEL ASSEMBLY TOLERANCE.

RECOMMENDED PANEL DIMENSION

CONNECTOR FRONT SURFACE

PATTERN, LAND, VIA HOLE, MOUNT, PROHIBITION AREA.  
 ONLY THE LAND FOR SOLDERING OF FRONT SHELL IS OK.

RECOMMENDED LAYOUT OF P.C.B  
 (CONNECTOR MOUNTING SIDE)  
 RECOMMENDED THICKNESS: 1.0~1.2mm

THIS DRAWING IS A CONTROLLED DOCUMENT.		DWN		TE Connectivity	
DIMENSIONS: 単位: 耗 mm		CHK			
TOLERANCES UNLESS OTHERWISE SPECIFIED: 一般公差		APVD		NAME 名称	
0 PLC ± 0.3		PRODUCT SPEC 製品規格		USB CONNECTOR RECEPTACLE TYPE	
1 PLC ± 0.3		APPLICATION SPEC 取付適用規格		SIZE	
2 PLC ± 0.3		WEIGHT		CAGE CODE	
3 PLC ± 0.3		CUSTOMER DRAWING		DRAWING NO 番号	
4 PLC ± 0.3		SCALE 尺度 5:1		A3 00779 C-1565589	
ANGLES ± 3'		SHEET 6 OF 6		RESTRICTED TO	
FINISH 仕上		REV E2			